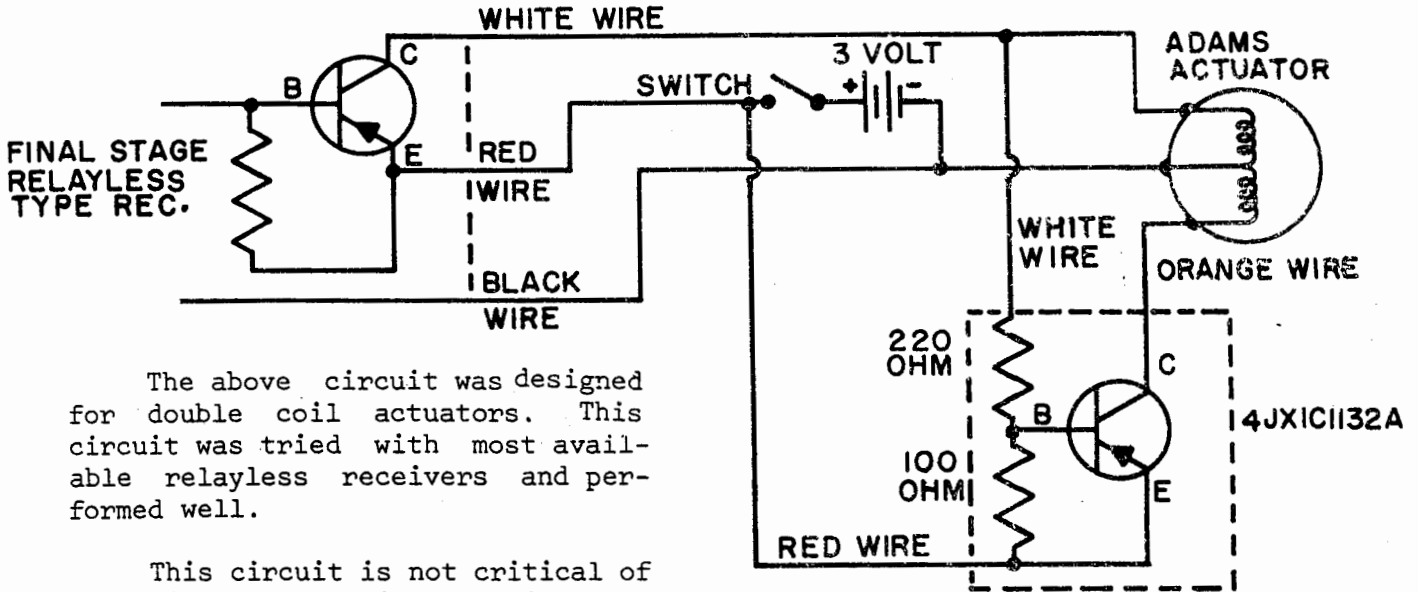


AOSK

ADD ON SWITCHER

CONVERTS RELAYLESS RECEIVERS TO
SPDT ACTION FOR PULSE



The above circuit was designed for double coil actuators. This circuit was tried with most available relayless receivers and performed well.

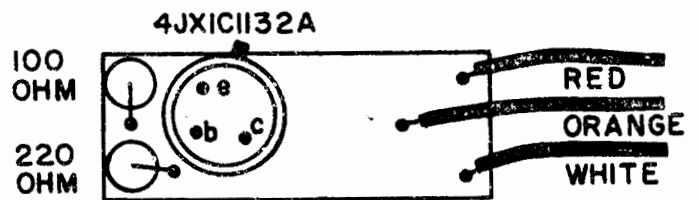
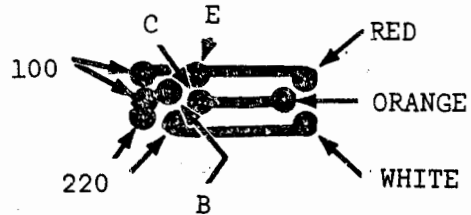
This circuit is not critical of selection of transistors, since the 2N3638, 2N1303, T1046, and the 4JX1C1132A were tried and all performed well. The circuit is very tolerant of resistance values used.

No special techniques are needed to wire this unit but DO use the very smallest tip iron you have since some of the lands are close. The unit is not critical as to housing and may be housed in a plastic box, mounted on the battery pack, moulded in some type of epoxy, or any other such type of mounting.

The above circuit is NOT designed for actuators that are used with electric motors such as the Mighty Midget, Micro Mo, Rand, or any other type electric motor servo. For these the Add-On-Switcher--Motor (AOSM) must be used.

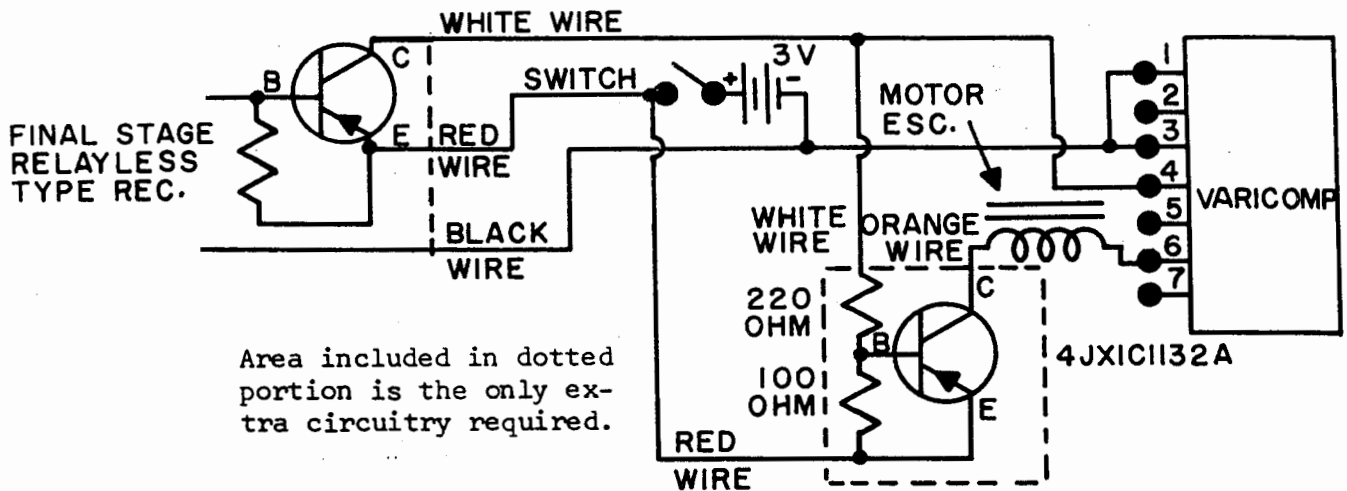
Area included in dotted portion is the only extra circuitry required.

NOTE: These views are looking through the PC board. Mount the parts on this side.

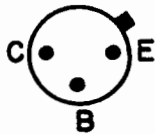


If you use your AOSK on 2.4 volts, change 220 ohm resistor to 100 ohm so that there is equal voltage on both coils of actuator. On voltages over 2.4 leave the 220 ohm resistor in the circuit.

This circuit is used for quick blip motor control and must be used with a Bonner Vari-Comp escapement.



4JX1C1132A



Transistor lead placement as viewed from the bottom.

PARTS LIST

RESISTORS

- 1 () 100 ohm (brown, black, brown)
- 1 () 220 ohm (red, red, brown)

TRANSISTOR

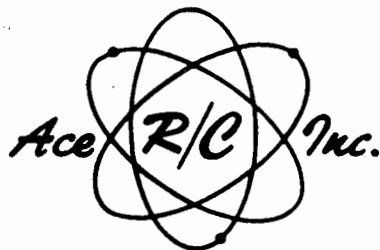
- 1 () GE4JX1C1132A Transistor

MISCELLANEOUS

- 1 () P.C.Base
- 10" Red, White, and Orange wire
- 1 () Plastic Box
- 1 () Set Instructions

While every effort is made to pack your kit with 100% complete parts, with human fallability being what it is, errors can occur. In the event of a shortage please return the parts list to Ace Radio Control, Box 301 Higginsville, Missouri detailing which parts you were short. We must have your parts list in order to make a replacement. This will also identify for us in what department the error occurred.

Best of luck on your R/C adventures.



HIGGINSVILLE, MO. 64037