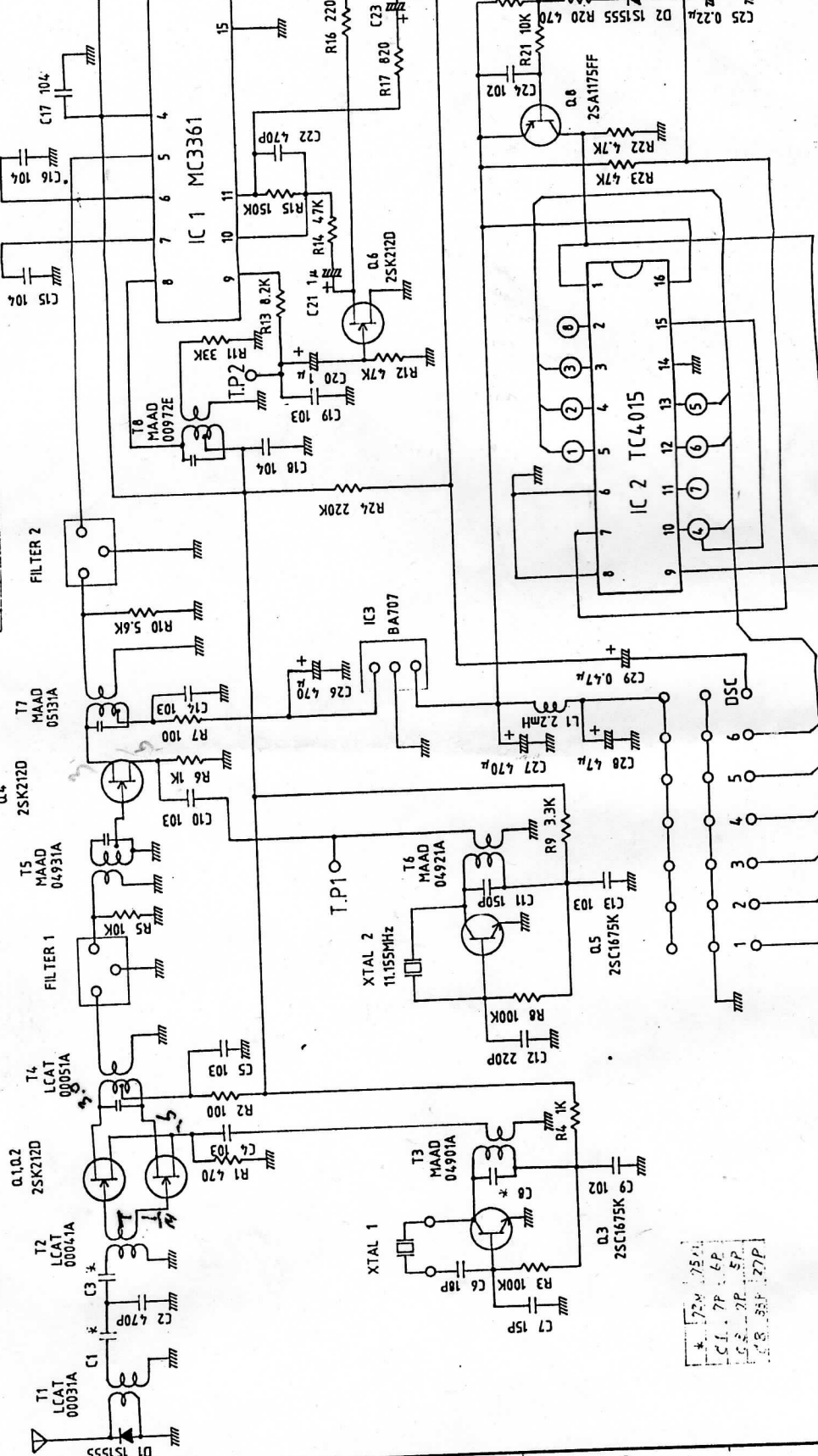


No	CODE NO.	NAME	REMARKS
1			
2			
3			
4			
5			



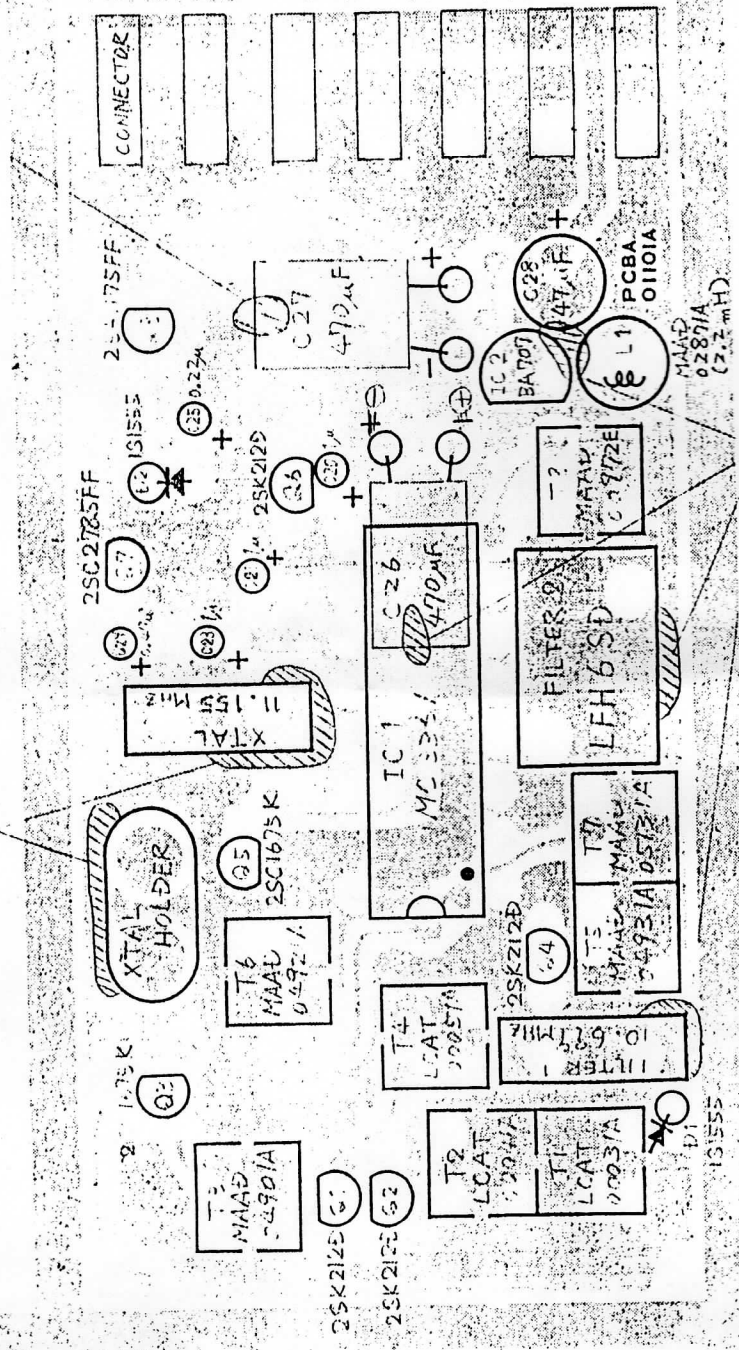
MODEL NAME 機種名 91 FM-6		SRD SCALE 尺規 PROJECTION 第三角法	
MODEL No. 機種號碼(72) (75) 104A10401A, 2A		DIM IN mm TITLE 圖名 CIRCUIT DIAGRAM	
DESIGNED BY 設計者 CHECKED BY 檢核者 DATE 日期		CODE No. 圖號 OSD-811R	
SANWA 三和電子機器株式会社		SANWA ELECTRONIC INSTRUMENT CO., LTD.	
REVISION 改訂		SHEET No. 1/1	

* 2P, 25P, 4P, 7P, 6P, 5P, 3P, 2P, 1P

1	REVISION	DATE	BY
2			
3			
4			
5			

BOND

BOND



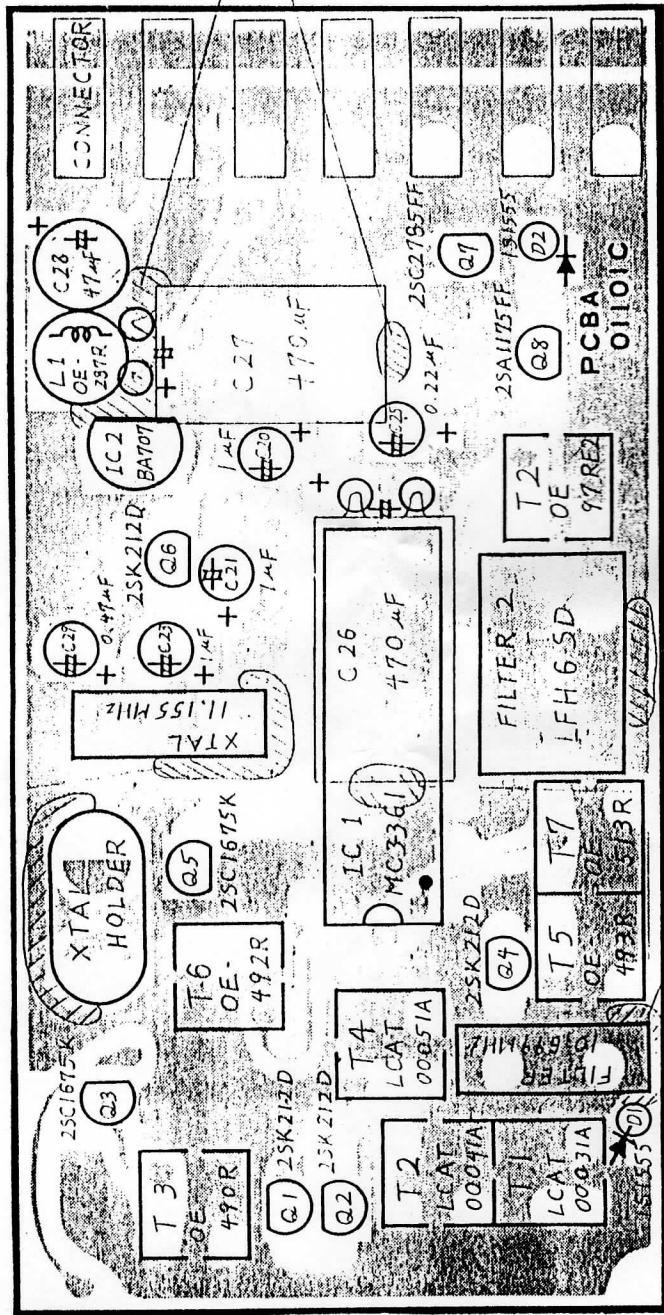
BACK SIDE

MODEL NAME	91-74-6	3RD ANGLE	1:1
PROTECTION		DATE	11/11/74
NAME	109A10401A, 2A MOUNTING DIAGRAM(2)	TITLE	2A
MODEL NO.	109A10401A, 2A	DATE	11/11/74
DESIGNED BY		DATE	11/11/74
CHECKED BY		DATE	11/11/74
APPROVED BY		DATE	11/11/74
REVISION		DATE	11/11/74
SHEET NO.	05D-812R-1	TOTAL SHEETS	1/2

SANWA 三和電子機器株式会社 SANWA ELECTRONIC INSTRUMENT CO., LTD.

NO	CODE NO.	NAME	SPEC	MATERIAL	REMARKS	MAKER
1						
2						
3						
4						
5						

BOND



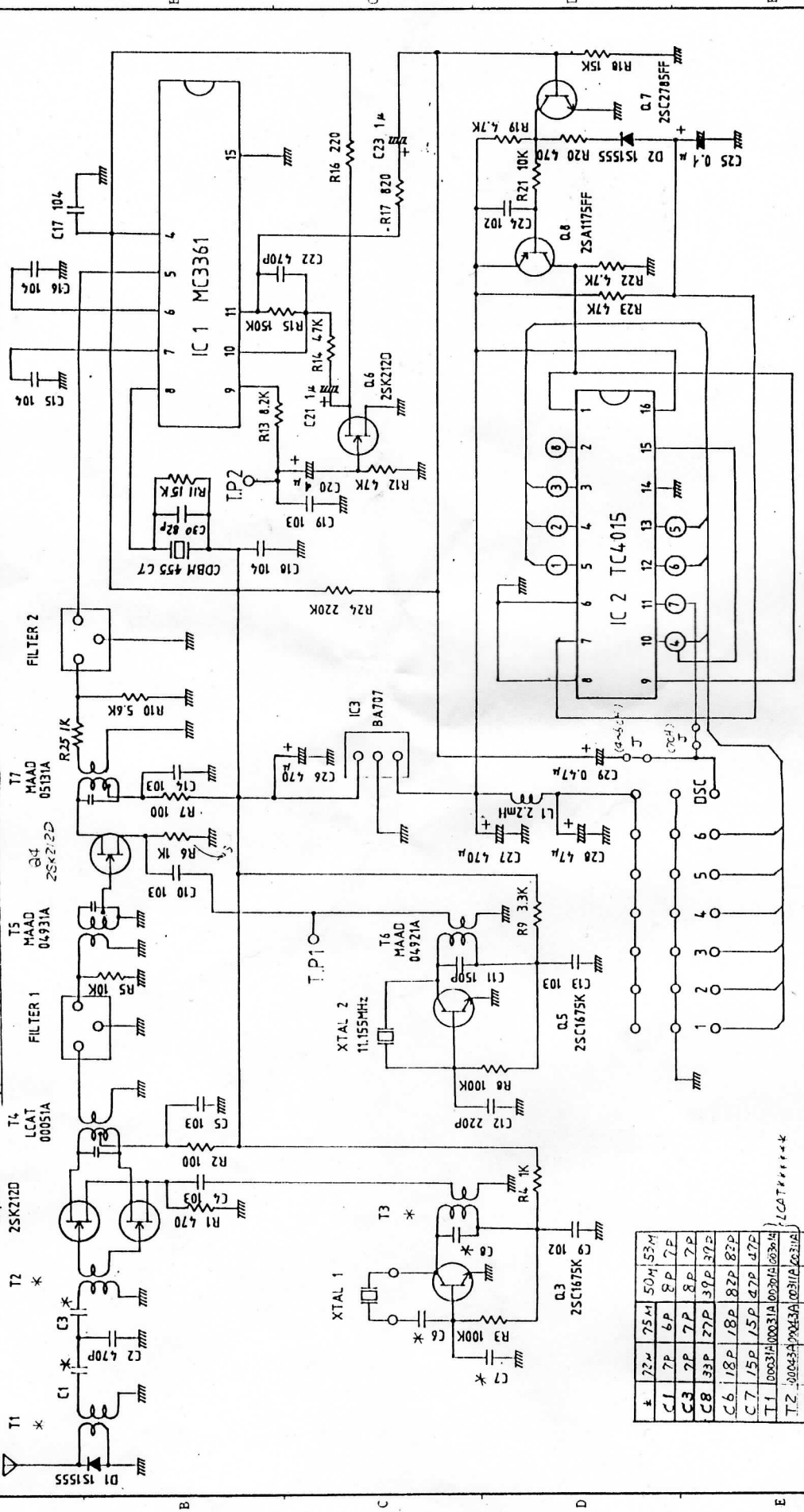
PARTS SIDE

BOND

REVISION	REV	DATE	BY	REASON

MODEL NAME	91FM-6 DRY, NiCd	3RD ANGLE	第三角法	DIM SCALE	寸法
MODEL NO.	104 A 104 01 B	PROJECTION	第三角法	UNIT	mm
DESIGNED		NAME		TITLE	組立図 (4/1)
APPROVED		CODE No.		DRAWING	
SANWA ELECTRONIC INSTRUMENT CO., LTD.			OSD-812R-3 1/2		

NO.	CODE NO.	REMARKS	NO.	CODE NO.	NAME	SPEC.	MATERIAL	REMARKS	MAKER
6	104A10402D	VG-FM6	2	104A10401D	R/C	D/N 191	FM-6	AT592765	VG-6 72M
7	104A10401E	VG-FM6	3	104A10402D					VG-6 75M
8	104A10401B	VG-FM7	4	104A10411B					VG-7 72M
9	104A10401A	VG-FM7	5	104A10412B					VG-7 75M



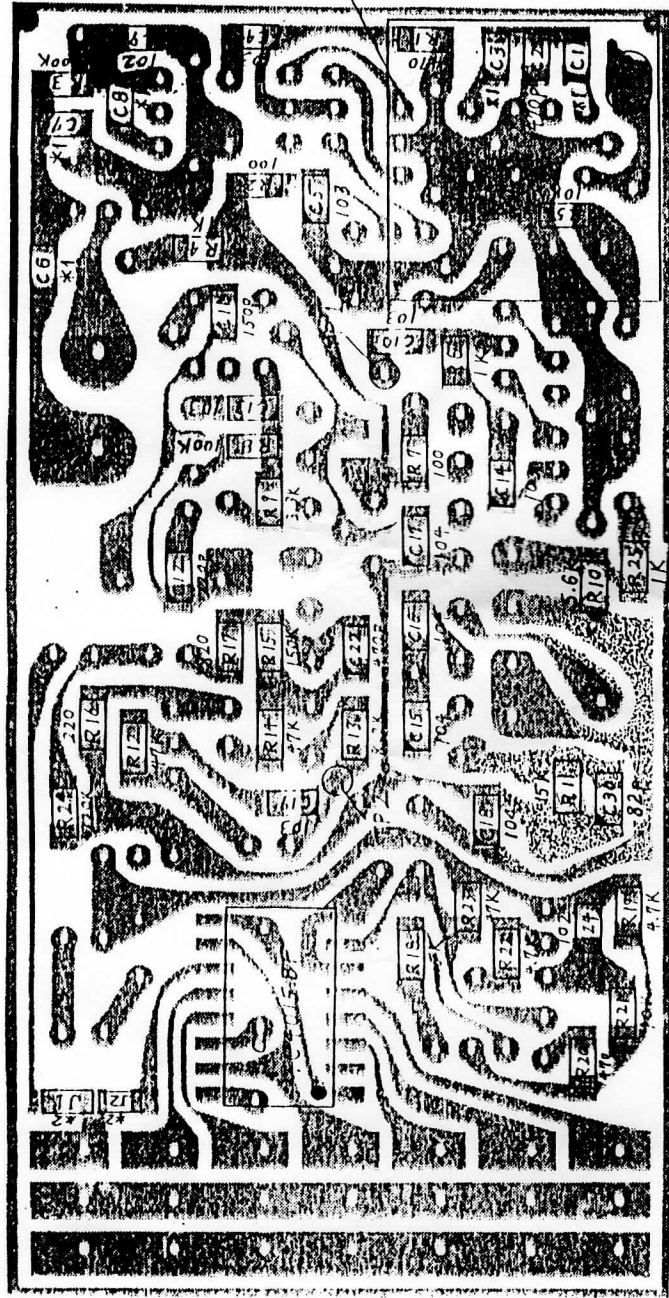
NO.	CODE NO.	REMARKS	NO.	CODE NO.	NAME	SPEC.	MATERIAL	REMARKS	MAKER
1	72M	75M	50M	53M					
2	7P	6P	8P	7P					
3	7P	7P	8P	7P					
4	33P	27P	39P	37P					
5	18P	18P	82P	82P					
6	15P	15P	47P	47P					
7	100031A	100031A	100031A	100031A					
8	100031A	100031A	100031A	100031A					
9	100031A	100031A	100031A	100031A					
10	100031A	100031A	100031A	100031A					

3RD ANGLE	第三角法	PROJECTION	DIM SCALE	尺法
1	1	1	1	1

MODEL NO.	機種番号	NAME	品名	(TITLE 図名)
104A10401X		CIRCUIT		DIAGRAM

CODE NO.	図番
033A3093	

NO	COLE NO.	NAME	SERIAL	REMARKS	MAKER
1	104A10401R/C	FM-5	AT692765	VG-6	72M
2	104A10402D	FM-5	92764	VG-6	75M
3	104A10411B	FM-7	AT792728	VG-7	72M
4	104A10412B	FM-7	92724	VG-7	75M
5	104A10403A	FM-5	AT692768	VG-6	50M
6	104A10404F	FM-5	92764	VG-6	53M
7	104A10413A	FM-7	AT792728	VG-7	50M
8	104A10414A	FM-7	92724	VG-7	52M



R2	FM-5	PA-0
R1	O	X
R2	X	O

O: INSTALL
X: NOT INSTALL

X1	72M	75M	50M	53M
C1	7P	6P	8P	7P
C3	7P	7P	8P	7P
C8	33P	27P	37P	37P
C6	18P	13P	22P	22P
C7	15P	15P	47P	47P

SOLDER SIDE

TYPE	FORM	PROJECTION	3RD ANGLE	SCALE	FILE
104A10401R/C	FM-5	第三角法	1:1	mm	(/)
MODEL No.	104A10401R/C	NAME	MOUNTING DRAWING		
DESIGNER	FM-5	CODE No.	033A3094 1/2		
APPROVED		SHEET No.	1/2		