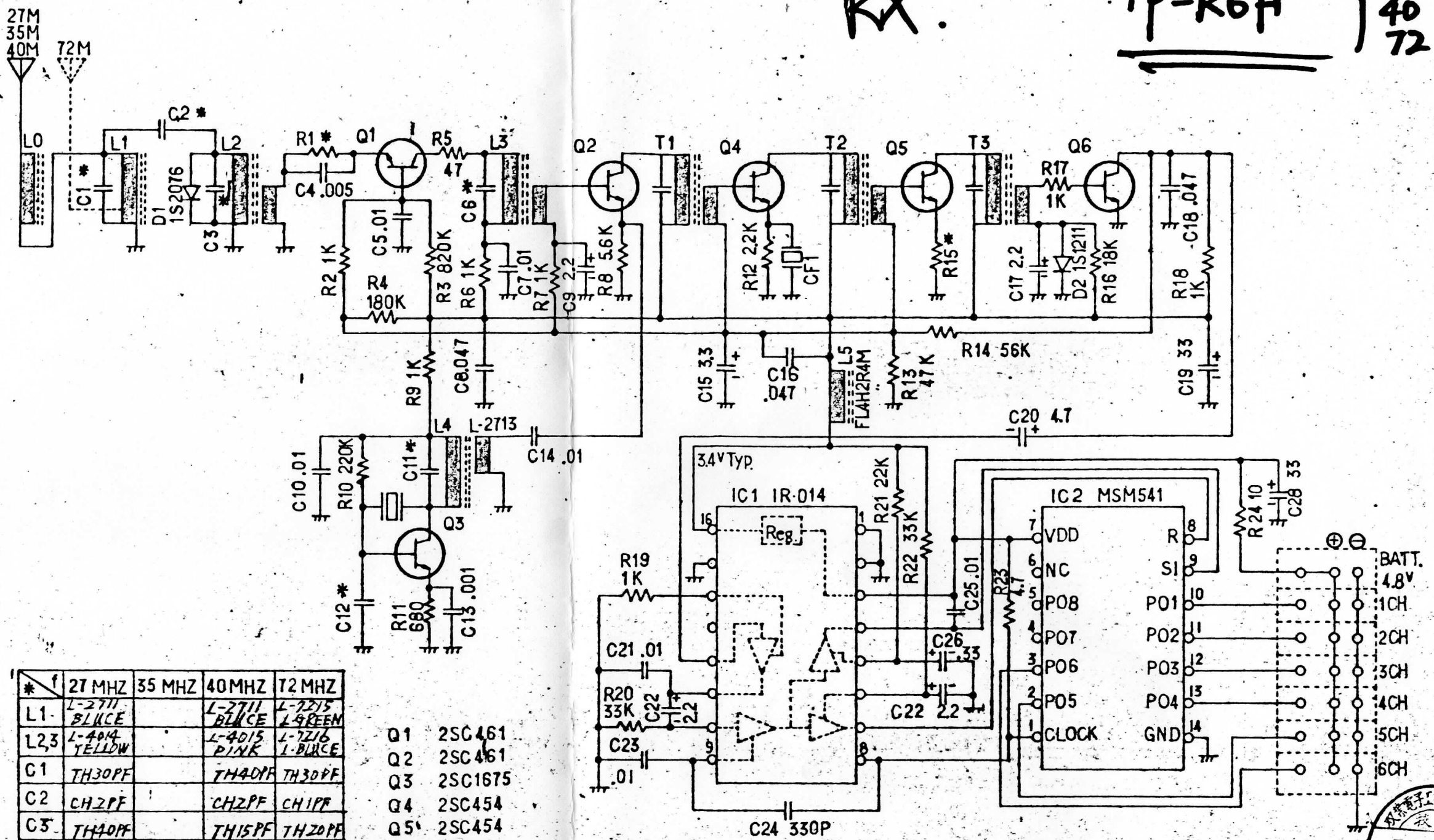


Rx.

FP-R6F

27
40
72 MHz.



| * f | 27 MHz | 35 MHz | 40 MHz | 72 MHz |
|------|------------------|--------|----------------|-------------------|
| L1 | L-2711 BLUE | | L-2711 BLUE | L-7215 L-GREEN |
| L2,3 | L-4014 YELLOW | | L-4015 PINK | L-7216 L-BLUE |
| C1 | TH30PF | | TH40PF | TH30PF |
| C2 | CH2PF | | CH2PF | CH1PF |
| C3 | TH40PF | | TH15PF | TH20PF |
| C6 | TH40PF | | TH20PF | TH20PF |
| C11 | CH25PF | | CH10PF | CH15PF |
| C12 | CH15PF | | CH15PF | CH10PF |
| R1 | 10 K Ω | | 6.8K Ω | 3.3K Ω |
| R15 | 470 Ω | | 470 Ω | 470 Ω |
| CF1 | BFB455K | | BFB455K | BFB455K |

- Q1 2SC461
- Q2 2SC461
- Q3 2SC1675
- Q4 2SC454
- Q5 2SC454
- Q6 2SC945



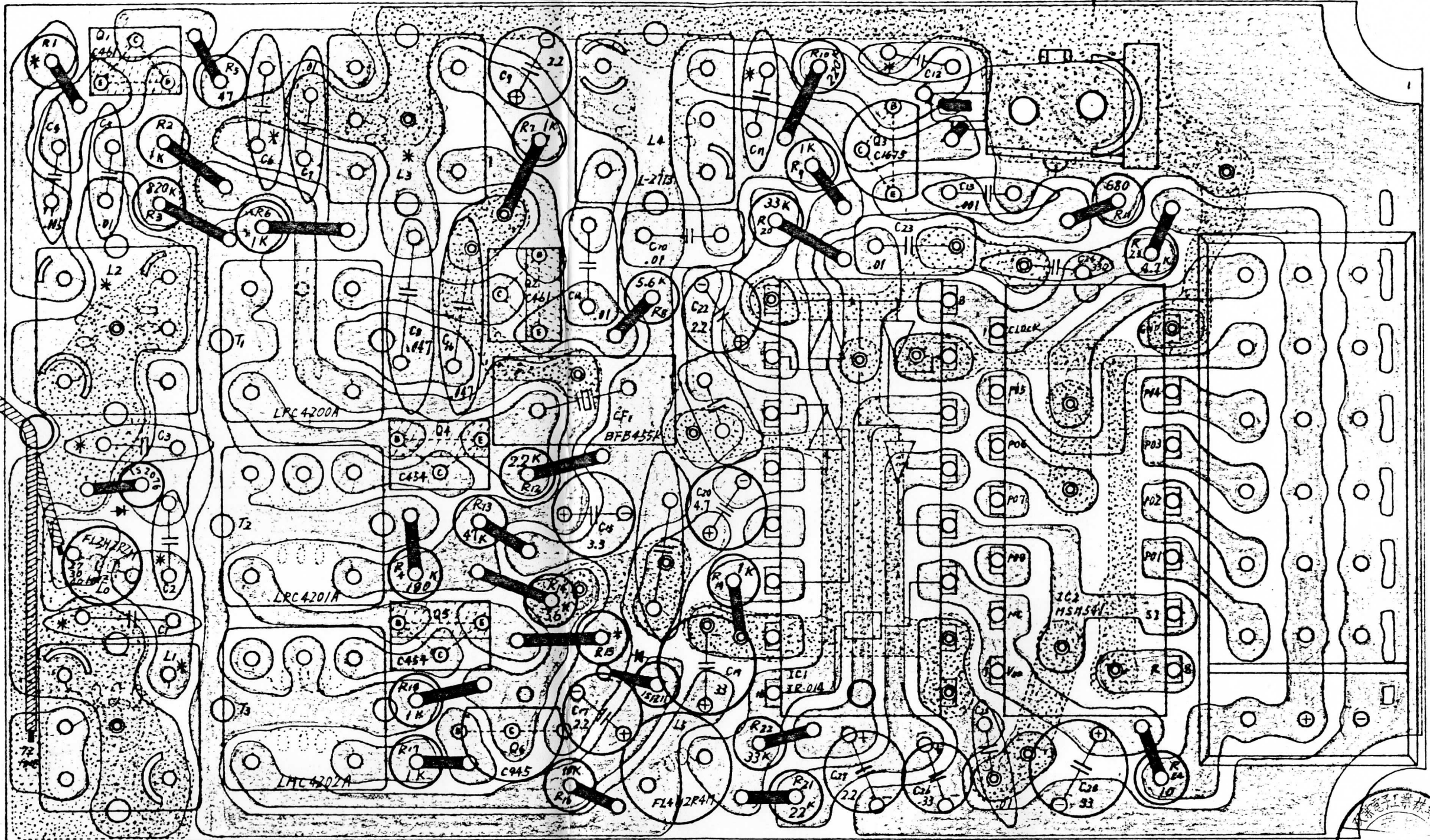
FUTABA Corporation

RECEIVER CIRCUIT : FP-R6F
I.P.C BOARD : UR67FN R-21

20R-950021

75.11





| Freq. | * | L1 | L2, L3 | C1 | C2 | C3 | C6 | C11 | C12 | R1 | R15 | CF1 |
|--------|---|-----------------|------------------|--------|-------|--------|--------|--------|--------|-------|------|---------|
| 27 MHz | * | L-2711 BLUE | L-4014 YELLOW | TH30PF | CH2PF | TH40PF | TH40PF | CH25PF | CH15PF | 10KΩ | 470Ω | BFB455K |
| 35 | | | | | | | | | | | | |
| 40 | * | L-2711 BLUE | L-4015 PINK | TH40PF | CH2PF | TH15PF | TH20PF | CH10PF | CH15PF | 6.8KΩ | 470Ω | BFB455K |
| 72 | * | L-7215 GREEN | L-7216 BLUE | TH30PF | CH1PF | TH20PF | TH20PF | CH15PF | CH10PF | 3.3KΩ | 470Ω | BFB455K |

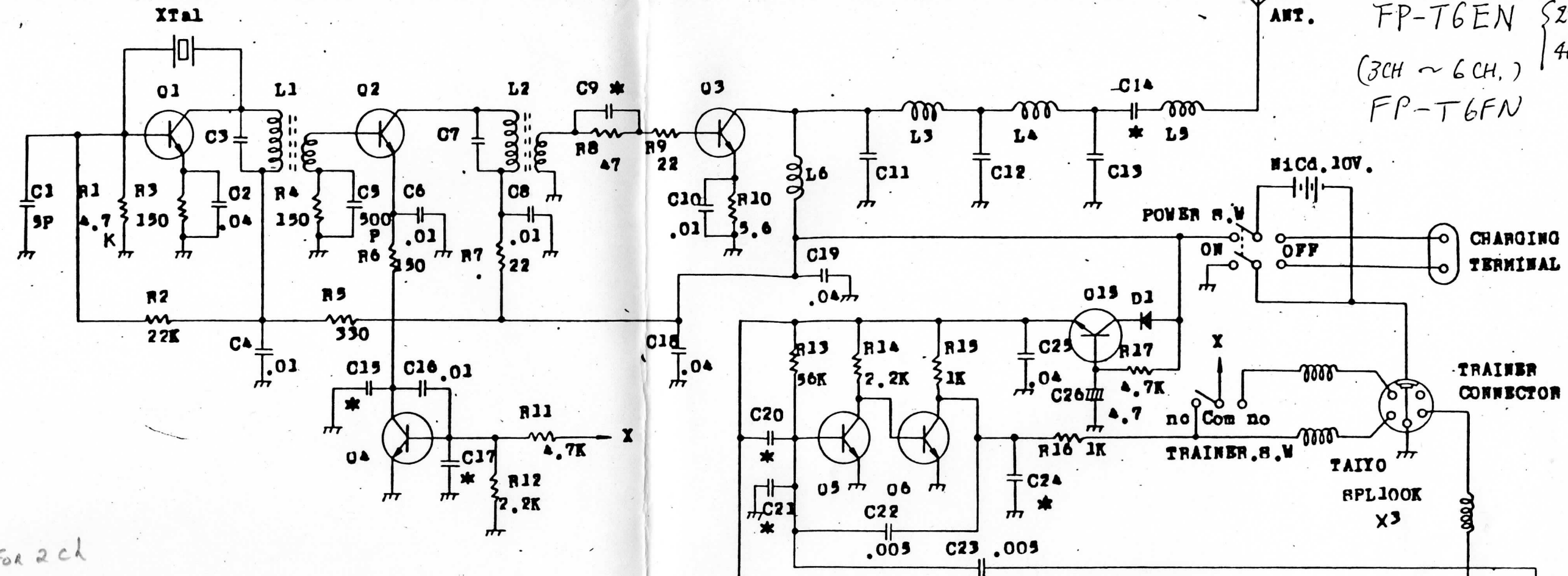
FP-R6F Assembly
UR67FN
P.C Board : R-21

FUTABA Corporation

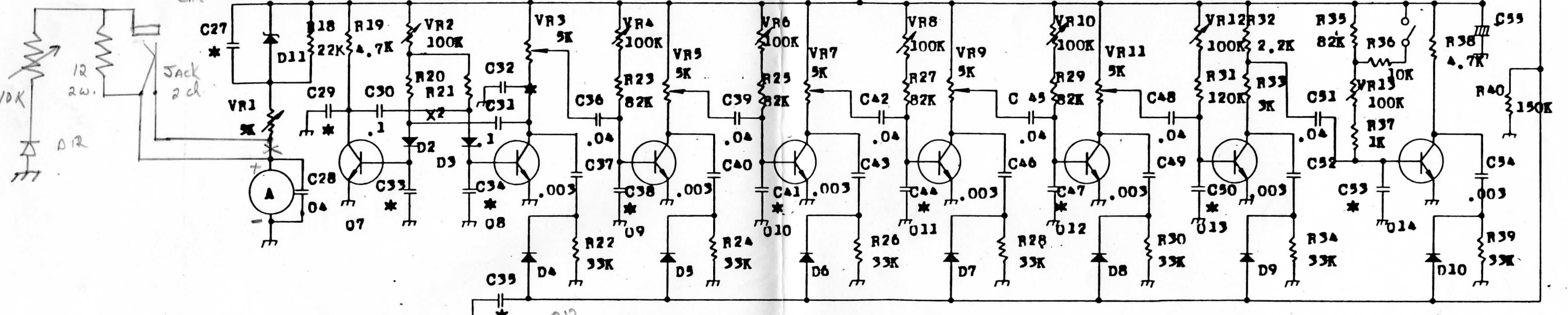
20R-950022



FP-T6EN } 27 MHz
 (3CH ~ 6CH.) } 40 MHz
 FP-T6FN



Plug
 BATT for 2 ch
 CAK



O1, O2: 28C828
 O3: 28C1589
 O4-O8: 28C945
 O9-O19: 28C945

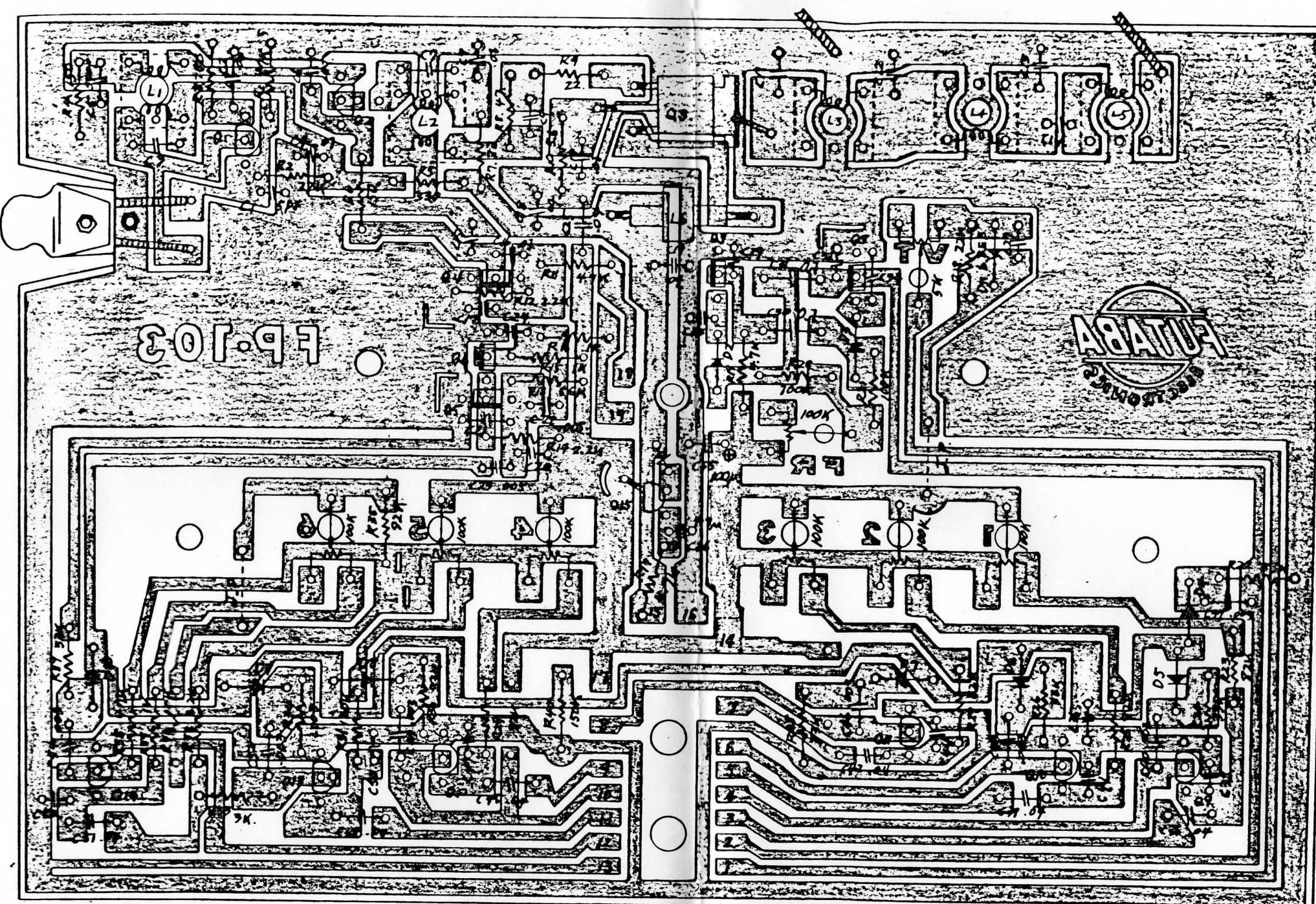
D1-D10: 182473
 D11: RD6.8BB
 Cmark: 0.001

| | | | | | | | | | | | |
|-------|-----|-----|------|------|------|-------|-------|--------|----------|---------|----------|
| | C3 | C7 | C11 | C12 | C13 | L1 | L2 | L3 | L4 | L5 | L6 |
| 27MHz | 40P | 50P | 120P | 180P | 150P | T40#C | L402C | L6 1/4 | L5 1/4 | L10 3/4 | FGSTR45C |
| 40MHz | 30P | 20P | 100P | 100P | 100P | L401B | L402C | L403 | ETSJEN60 | L6 1/4 | FGSTR45C |

FUTABA ELECTRONIC IND. LTD.
 date. 75.6. DRAWN by J.S.
 TRAINER TYPE TRANSMITTER.
 P.C. board FP-105....

CASE GLAUND, BLA. (130)

ANT. YEL. (80)



CONNECT

- 1. METER. (+) GLAY. (200)
- 2. VR3, No1 BROWN. (130)
- 3. VR3, No2 RED. (130)
- 4. VR3, No1 ORANGE. (130)
- 5. VR3, No2 YELLOW. (130)
- 6. VR7, No1 GREEN. (130)
- 7. VR7, No2 BLUE. (130)
- 8. VR9, No1 WHITE. (130)
- 9. VR9, No2 LIGHT GREEN. (130)
- 10. VR11, No1 PURPLE. (120)
- 11. VR11, No2 PINK. (120)
- 12. 3P SNAP SW. RED. (220)
- 13. METER. (-)
LIGHT GREEN. (200)
- 14. VR3, 5, 7, 11, 9.
No3 BLACK.
- 15. 886P SW RED. (150)
- 16. 886P SW BLACK. (150)
- 17. 3P SNAP SW BLACK. (240)
- 18. TRAINER SW Com
-GREEN. (300)
- 19. TRAINER SW No
-BLUE. (300)

FP-103, TRANSMITTER,
CIRCUIT BOARD ASSEMBLY,
FUTABA ELECTRONIC IND. LTD.
date. 7.5.6. DRAWN by J.M.

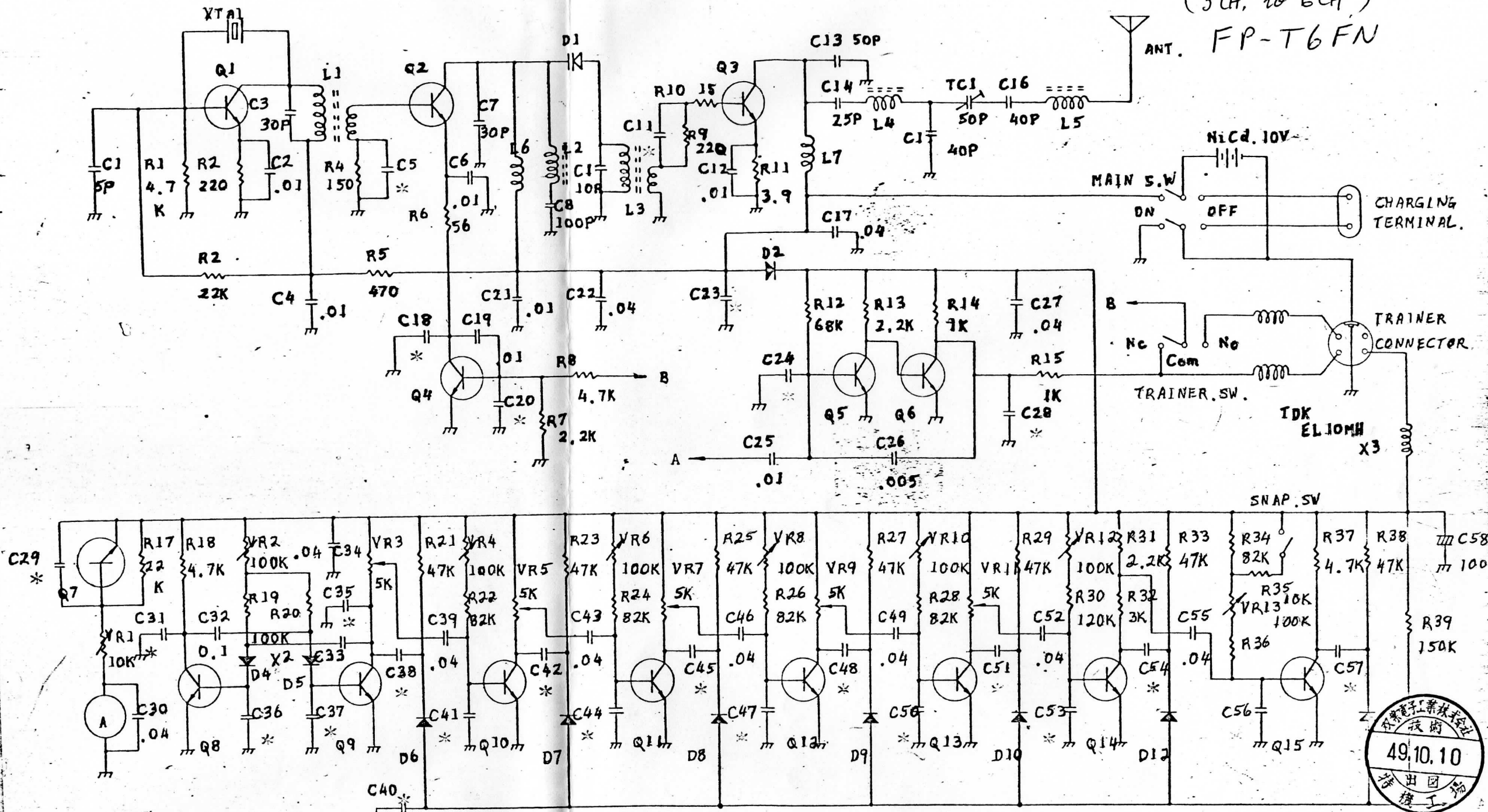
10R-950016

| | C3 | C7 | C11 | C12 | C13 | L1 | L2 | L3 | L4 | L5 | L6 |
|-------|-----|-----|------|------|------|-------|-------|--------|----------|---------|----------|
| 27MHz | 40P | 50P | 120P | 180P | 150P | T495C | L402C | L6 1/4 | L5 1/4 | L10 3/4 | FGSTR05C |
| 40MHz | 30P | 20P | 100P | 100P | 100P | L401B | L402C | L403 | ETS5E140 | L6 1/4 | FGSTR05C |

FP-T6EN, 72 MHz

(3CH, to 6CH)

FP-T6FN



Q1, Q2: 2SC710
 Q3: 2SC99A
 Q4-Q6: 2SC458
 Q7: 2SC1032

Q8-Q15: 2SC458
 OR, equivalent.
 D1: 1S2790YL ← ECG 614
 D2: 1S1P-10
 D4-D12: 1S2473Z
 C* mark; 0, 001

L1: L721
 L2: L722B
 L3: L723Y
 L4: L724B

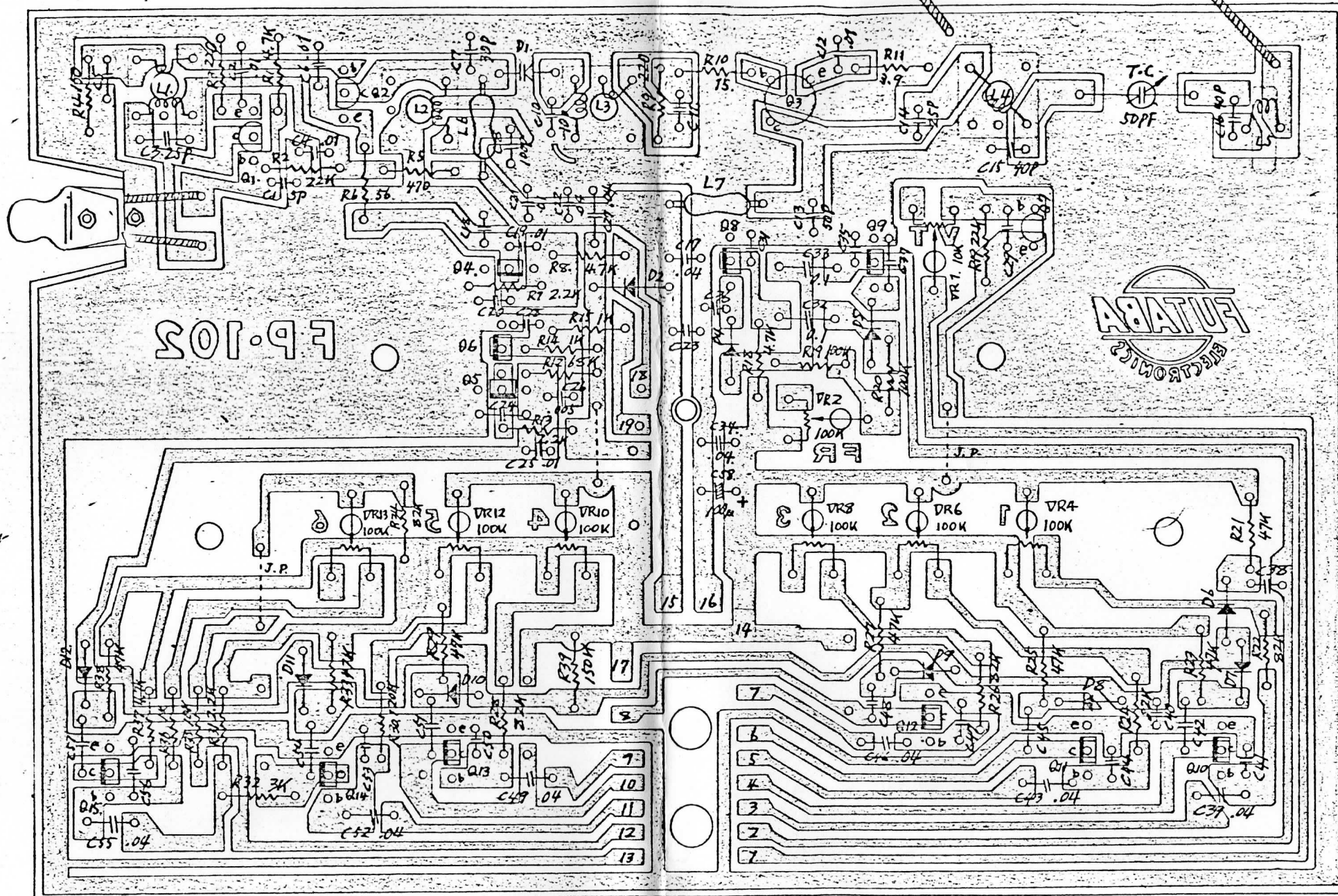
L5: L725C
 L6, L7: TDK SP-10.

FUTABA ELECTRONICS, CO., LTD.
 Goto, 74, G. JAPAN
 MODEL 72MHz Transmitter.
 P.C. board **FP-102**



CASE GROUND. BLA. (130)

ANT. YEL. (90)



CONNECT

- | | |
|--------------------|--------------------|
| 1. METER. (+) | GRAY. (200) |
| 2. VR3. No1 | BROWN. (130) |
| 3. VR3. No2 | RED. (130) |
| 4. VR5. No1 | ORANGE. (130) |
| 5. VR5. No2 | YELLOW. (130) |
| 6. VR7. No1 | GREEN. (150) |
| 7. VR7. No2 | BLUE. (150) |
| 8. VR9. No1 | WHITE. (150) |
| 9. VR9. No2 | LIGHT GREEN. (150) |
| 10. VR11. No1 | PURPLE. (120) |
| 11. VR11. No2 | PINK. (120) |
| 12. 3P SNAP SW. | RED. (220) |
| 13. METER. (-) | LIGHT GREEN. (200) |
| 14. VR3. 5. 7. 11 | No3. BLACK. |
| 15. SS6P SW | RED. (150) |
| 16. SS6P SW | BLACK. (150) |
| 17. 3P SNAP SW | BLACK. (240) |
| 18. TRAINER SW Com | -GREEN. (300) |
| 19. TRAINER SW No | -BLUE. (300) |

FP-102 72MHz Transmitter.
 CIRCUIT BOARD ASSEMBLY.
 FUTABA ELECTRONICS, CO., LTD.
 date. 74.6. DRAWN by J.P.

