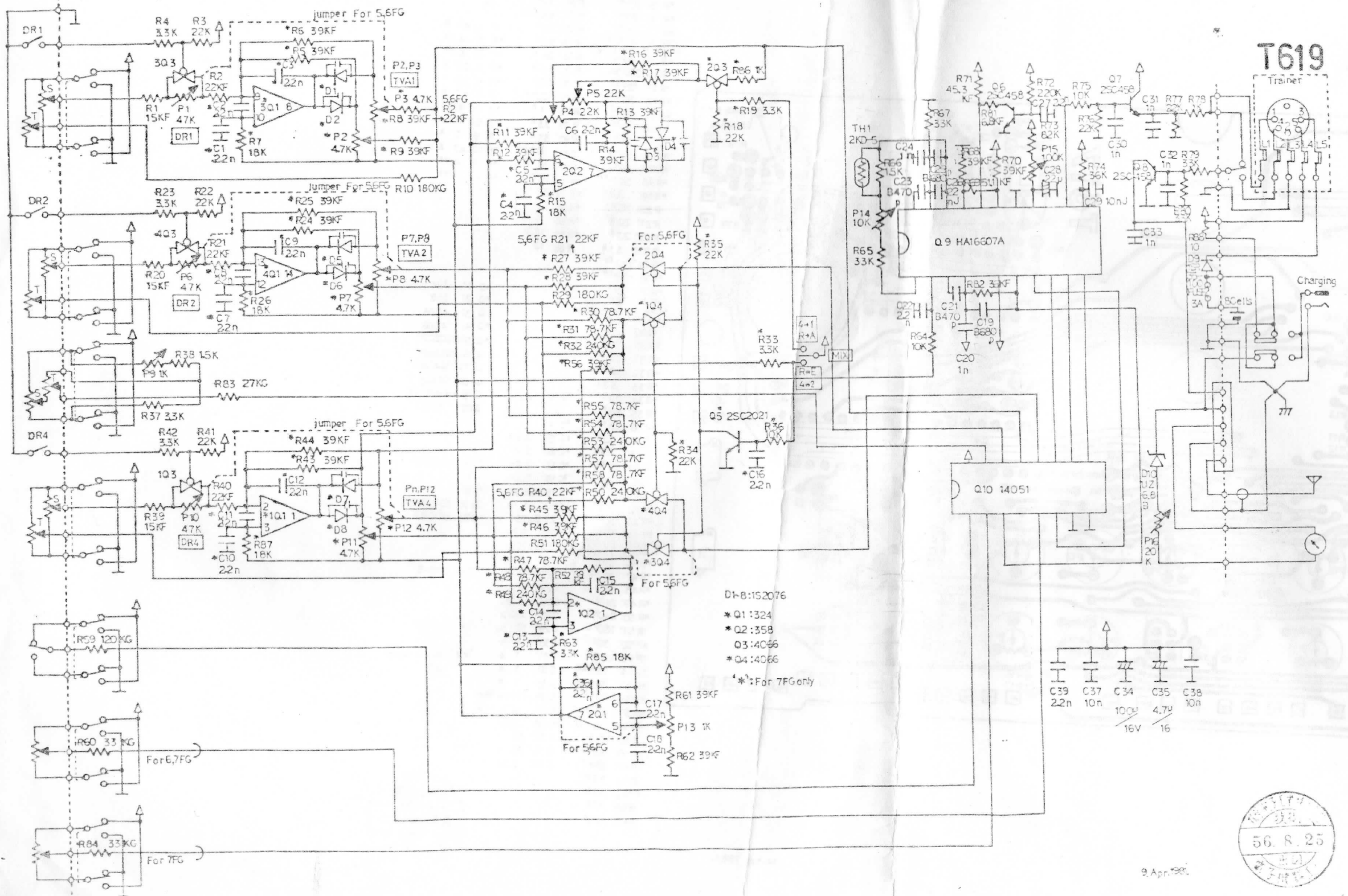


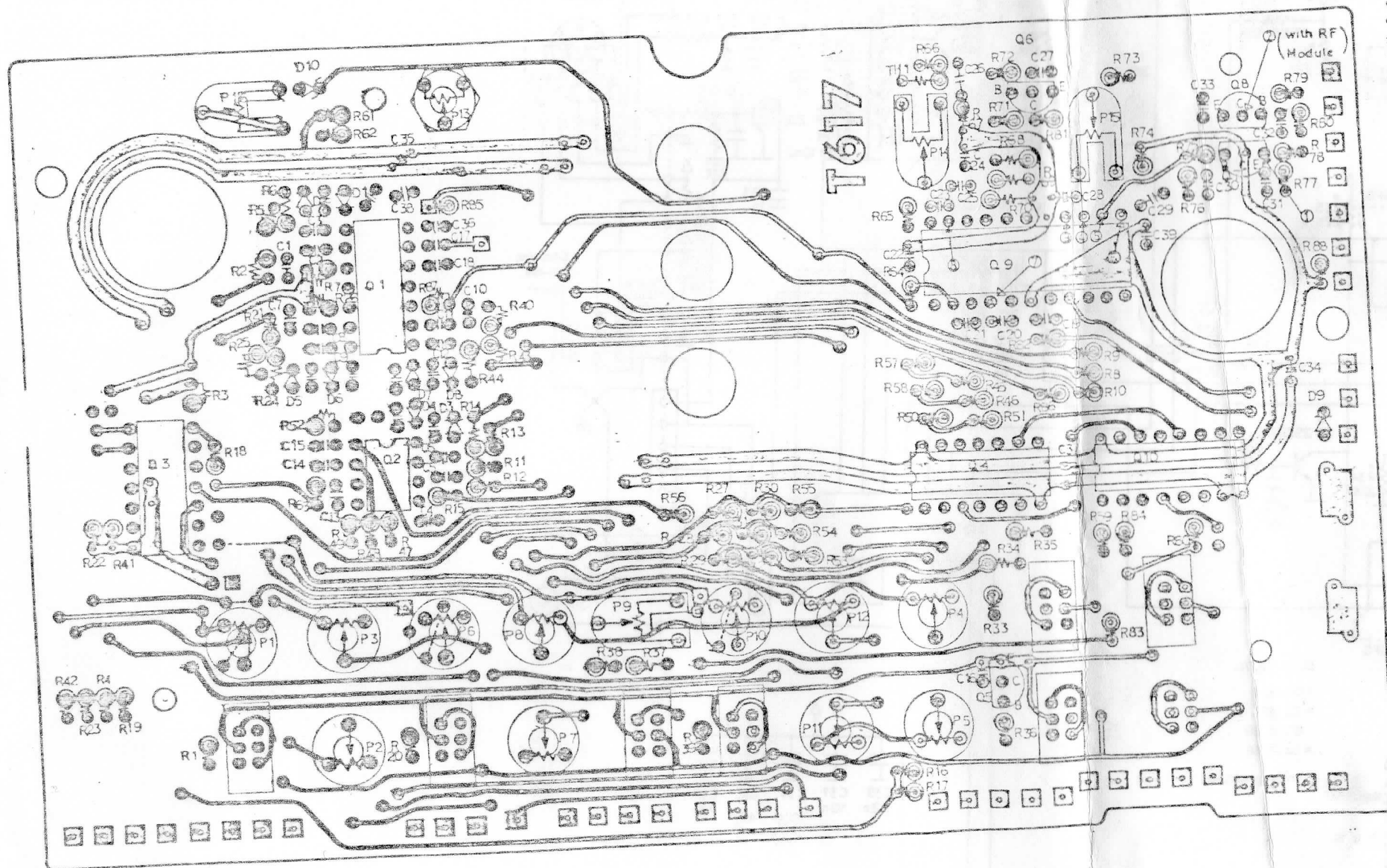
# T617 5.6.7FG Encoder (T 619 Trainer)



9 Apr 1961



# T617 5.6.7FGK Encoder



R 1: 15 K	R 66: 15K	
R 2: 22K	R 67: 33K	
R 3: 22K	R 68: 39K	
R 4: 33K	R 69: 51.1K	
*R 5: 39K	R 70: 39K	
*R 6: 39K	R 71: 45.3K	
*R 7: 18 K	R 72: 220K	P 1: 4.7 K
*R 8: 39K(7)	R 73: 82 K	*P 2: 4.7K
*R 9: 39K(5,6)	R 74: 36 K	*P 3: 4.7K
R 10: 180 K	R 75: 10 K	*P 4: 22 K
*R 11: 39K	R 76: 22 K	*P 5: 22 K
*R 12: 39K	R 77: 22K	P 6: 4.7 K
*R 13: 39K	R 78: 1 K	*P 7: 4.7K
*R 14: 39K	R 79: 33 K	*P 8: 4.7K
*R 15: 18 K	R 80: 33 K	P 9: 1 K
*R 16: 39K	R 81: 6.8K	*P 10: 4.7 K
*R 17: 39K	R 82: 36 K	*P 11: 4.7K
*R 18: 22 K	R 83: 27 KG	P 12: 4.7K
*R 19: 3.3K	*R 84: 33 KG	P 13: 1 K
R 20: 15 K	*R 85: 18 K	P 14: 10 K
R 21: 22 K	*R 86: 1 K	P 15: 100 K
R 22: 22 K	*R 87: 18 K	P 16: 20 K
R 23: 3.3K	R 88: 10	
*R 24: 39 K		
*R 25: 39 K		
*R 26: 18 K		
*R 27: 39K(7)		
*R 28: 39K(5,6)		
R 29: 180K		
*R 30: 78.7K		
*R 31: 78.7K		
*R 32: 240K		
*R 33: 3.3K		
*R 34: 22 K		
*R 35: 22 K		
*R 36: 10 K		
R 37: 33 K		
R 38: 1.5K		
R 39: 15 K		
R 40: 22 K		
R 41: 22 K		
*R 42: 3.3K		
*R 43: 39 K		
*R 44: 39 K		
*R 45: 39 K(7)		
*R 46: 22 K(5,6)		
*R 46: 39K		
*R 47: 78.7K		
*R 48: 78.7K		
*R 49: 240K		
*R 50: 240K		
R 51: 180K		
*R 52: 39K		
*R 53: 240K		
*R 54: 78.7K		
*R 55: 78.7K		
*R 56: 39K		
*R 57: 78.7K		
*R 58: 78.7K		
R 59: 120K		
*R 60: 33K		
R 61: 39K		
R 62: 39K		
*R 63: 33 K		
R 64: 10 K		
R 65: 33K		

Q 1: 324	
Q 2: 35B	
Q 3: 4066	
Q 4: 4066	
*Q 5: 25C2021	
Q 6: 25C45B	
Q 7: 25C45B	
Q 8: 25C45B	
Q 9: HA16507A	
Q 10: 14051	

*C 1: 2.2n	
*C 14	
*C 15: 2.2n	
*C 16: 2.2n	
*C 17: 2.2n	
*C 18: 2.2n	
C 19: 0.680P	
C 20: 1 n	
C 21: 8470 P	
C 22: 2.2n	
C 23: 8470 P	
C 24: 1 n	
C 25: 6680P	
C 26: 22 nJ	
C 27: 2.2n	
C 28: .22u	
C 29: 10 nJ	
C 30: 1 n	
C 31: 1 n	
C 32: 1 n	
C 33: 1 n	
C 34: 100 u 16V	
C 35: 4.7u 16V	
*C 36: 2.2n	
C 37: 10 n	
C 38: 10 n	
C 39: 2.2n	

D 1: 152076	
D 8	
D 9: 1SR35-100	
D 10: UZ6.8 B	

TH1: 2KD-5

\*: For 7FG only  
 \*\*: Reject with SFG

