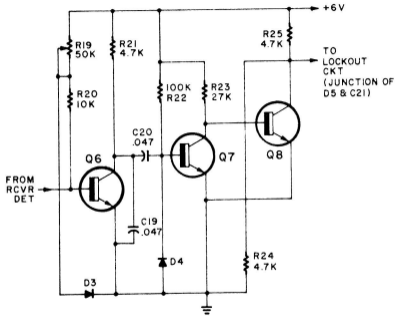
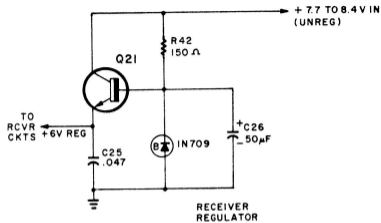


**Bonner Digimite 8 receiver
part 1**



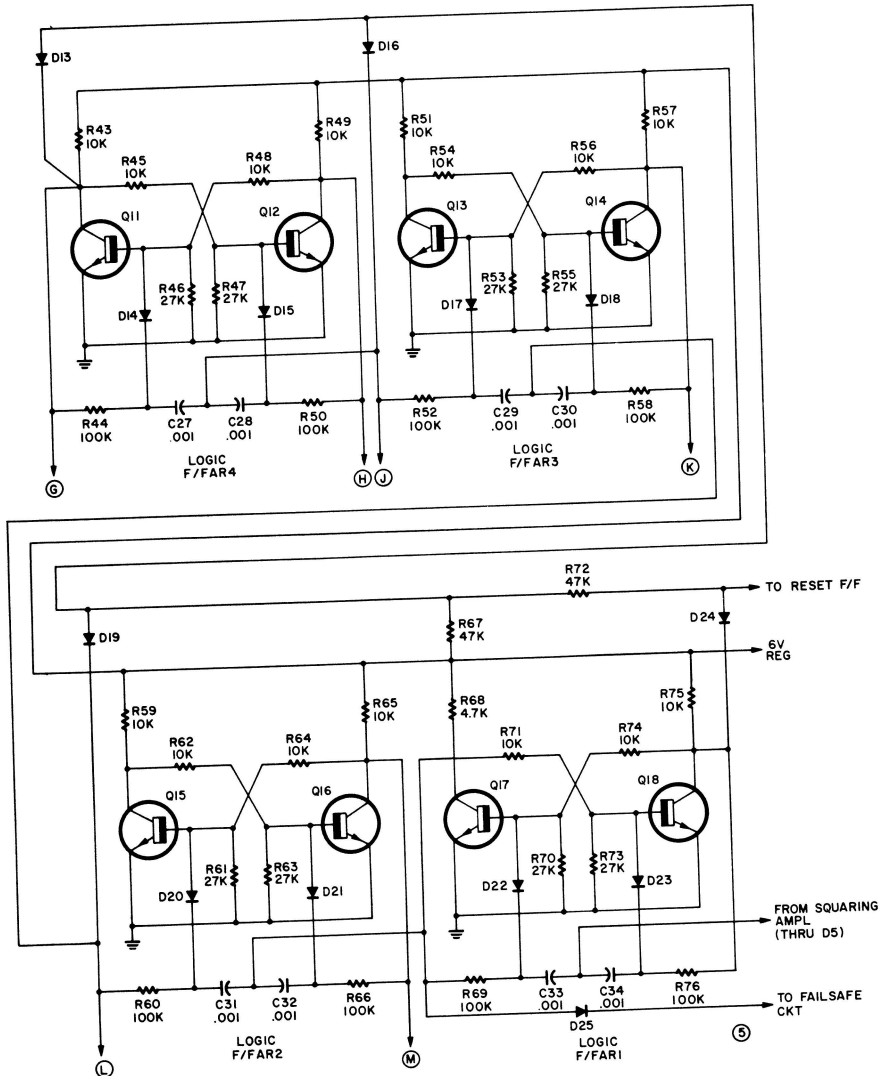
SQUARING AMPL



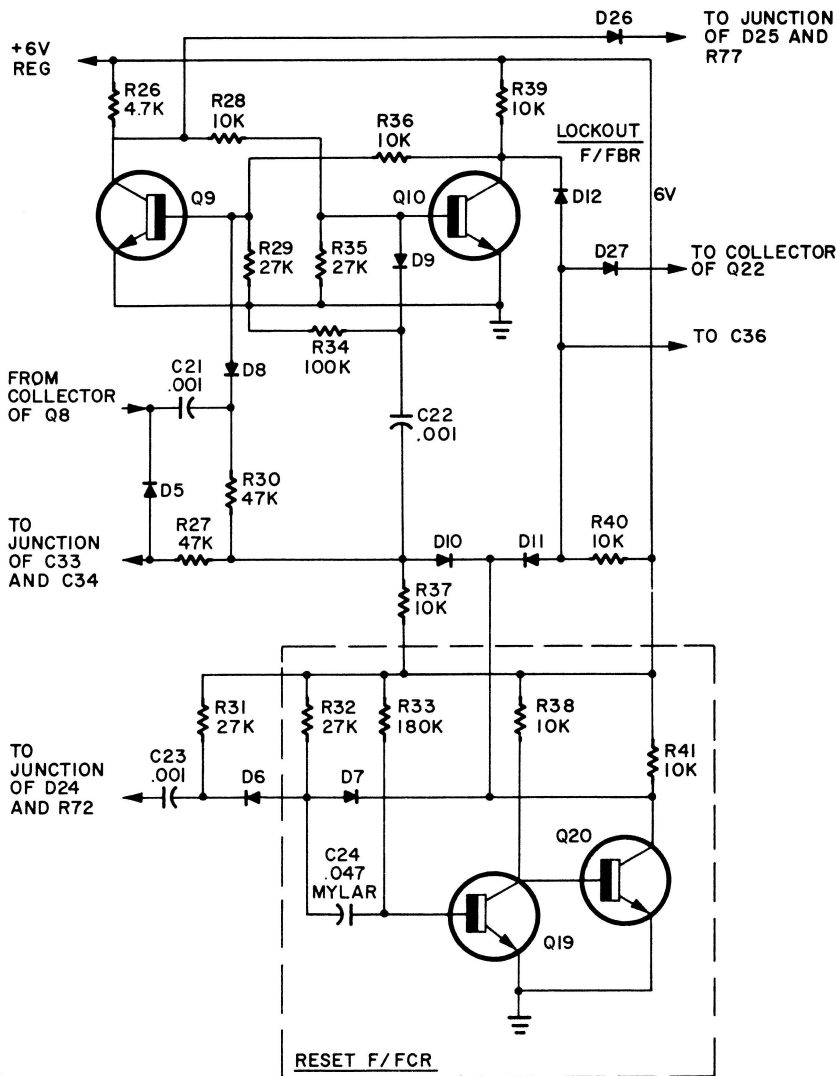
RECEIVER
REGULATOR

Bonner Digimite 8 receiver part 2

LETTERS G-M
INDICATE CONNECTIONS
TO SIMILARLY LETTERED
POINTS IN FIG.



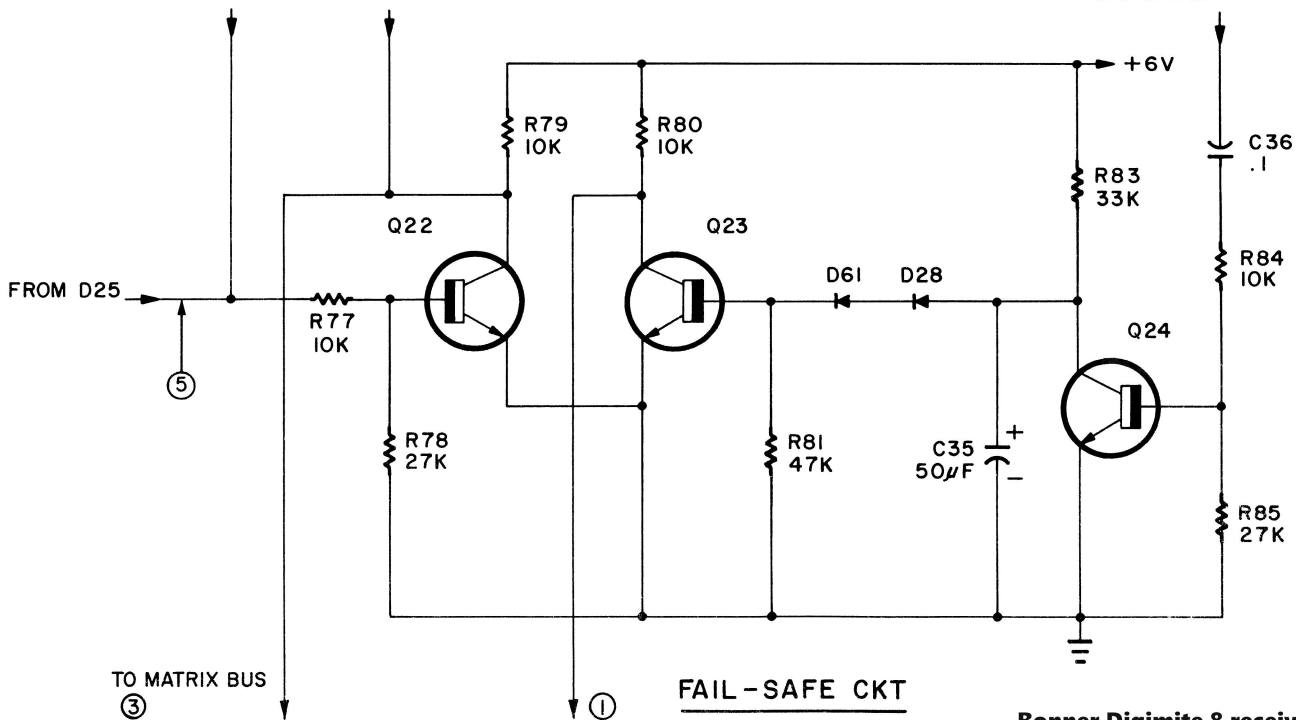
**Bonner Digimite 8 receiver
part 3**



**Bonner Digimite 8 receiver
part 4**

FROM D26 FROM D27

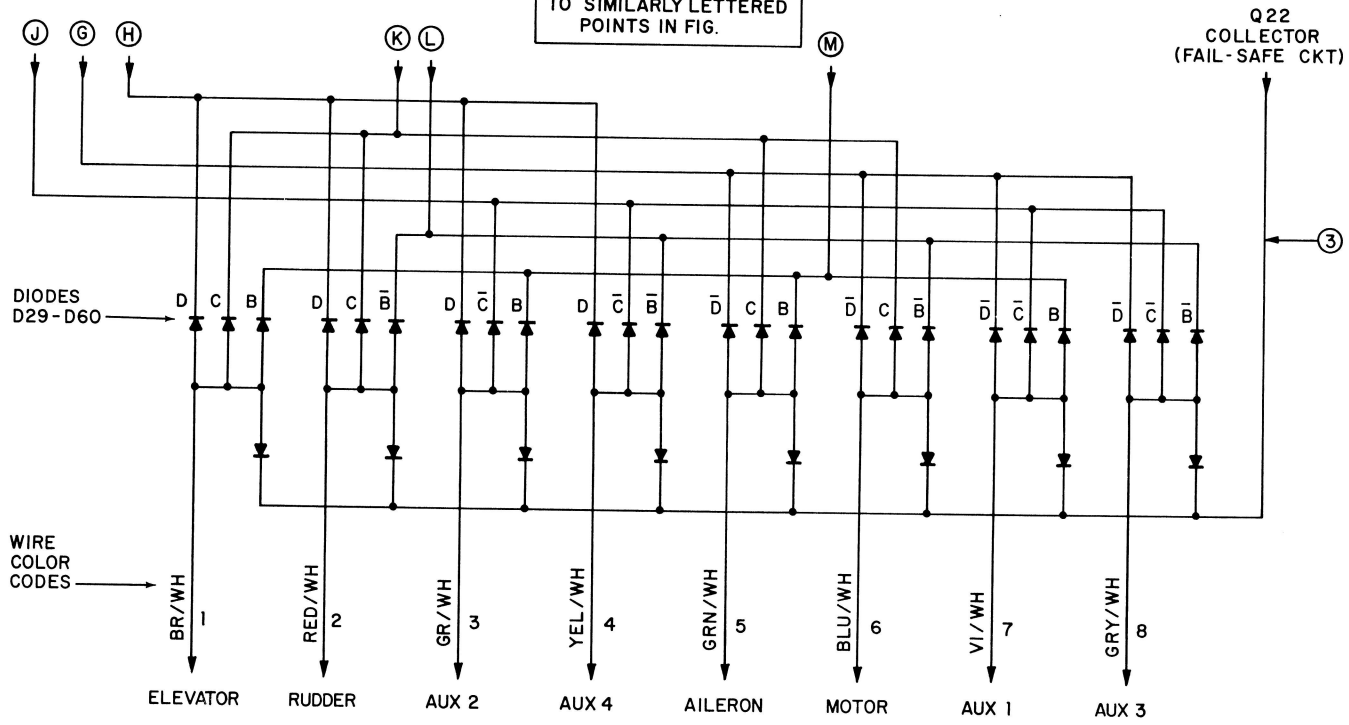
FROM JUNCTION OF
D12 & D27



FAIL-SAFE CKT

**Bonner Digimite 8 receiver
part 5**

LETTERS G-M
INDICATE CONNECTIONS
TO SIMILARLY LETTERED
POINTS IN FIG.



DIODES
D29 - D60

WIRE
COLOR
CODES

**Bonner Digimite 8 receiver
part 6**

MATRIX