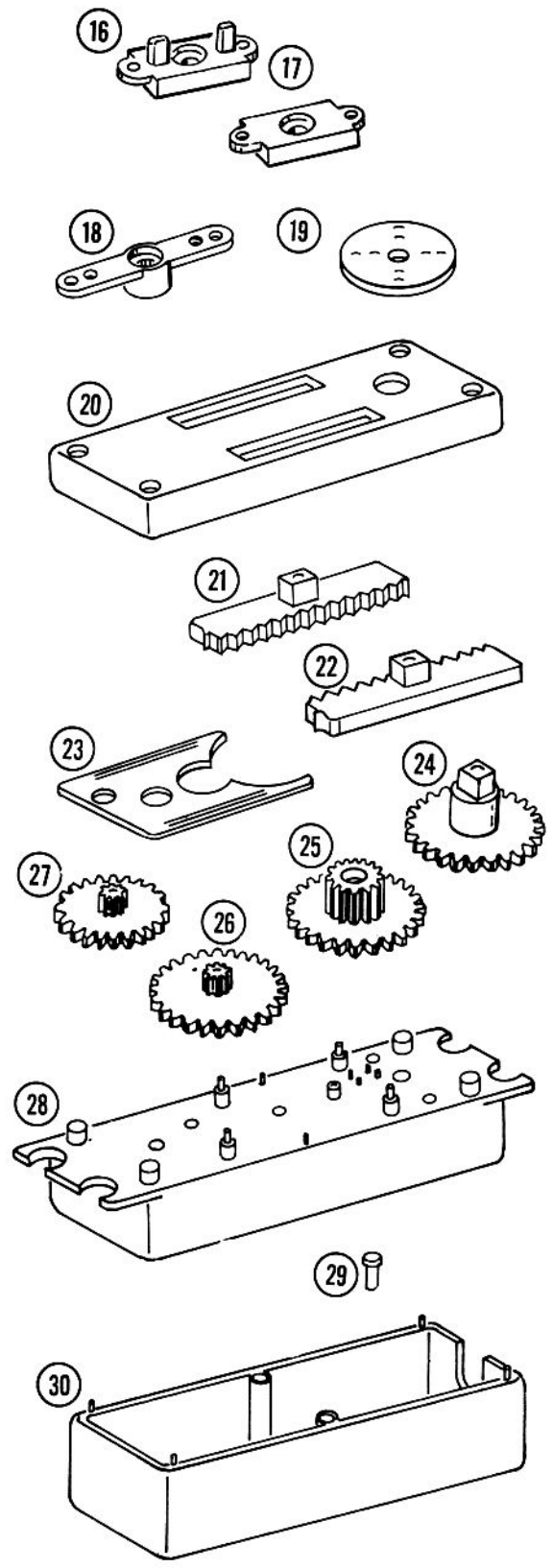
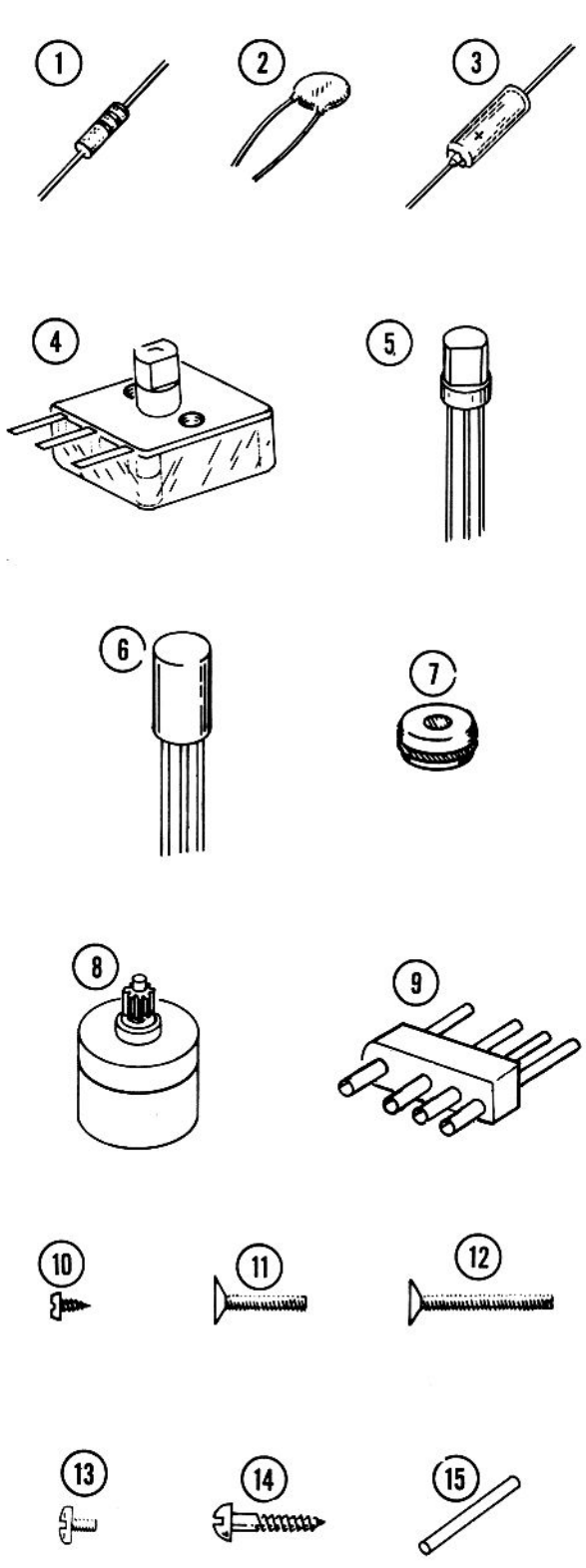


SERVO PARTS PICTORIAL



SERVO PARTS LIST

NOTE: If you have purchased either a GD-19M or a GD-19S Radio Control System, disregard the "Servo" section of this Manual and use the manual packed with the servo. If you have purchased a GD-19 system or a GD-19-4 servo, proceed with the "Servo" section in this Manual.

Unpack the Servo packs marked with the first seven numbers, 171-2126. Keep the four sets of parts separated from each other. Each Servo should contain the parts listed below. The numbers in parentheses are keyed to the numbers on the Parts Pictorial.

PART No.	PARTS Per Kit	DESCRIPTION	PART No.	PARTS Per Kit	DESCRIPTION
RESISTORS			CAPACITORS		
1/4 Watt					
(1) 1-20-12	1	33 Ω (orange-orange-black)	(2) 21-6	1	27 pF disc
1-51-12	2	47 Ω (yellow-violet-black)	21-140	1	.001 μ F disc
1-17-12	1	220 Ω (red-red-brown)	21-141	1	.0033 μ F disc
1-24-12	1	820 Ω (gray-red-brown)	21-94	3	.05 μ F disc
1-3-12	1	1200 Ω (brown-red-red)	(3) 25-197	3	1.0 μ F electrolytic
1-4-12	3	2200 Ω (red-red-red)	(4) 26-121	1	2-section variable
1-6-12	1	3300 Ω (orange-orange-red)			
1-8-12	3	4700 Ω (yellow-violet-red)			
1-28-12	1	8200 Ω (gray-red-red)			
1-9-12	1	10 k Ω (brown-black-orange)			
1-45-12	2	22 k Ω (red-red-orange)			
1-11-12	2	47 k Ω (yellow-violet-orange)			
1-50-12	1	11 M Ω (brown-brown-blue)			
			TRANSISTORS		
			NOTE: Transistors will be marked with either the part number or transistor type number.		
			(5) 417-91	2	2N5232A/2N3391A
			417-200	5	X29A826
			117-6	1	Transistor pair
			Consisting of:		
				1	2N2430
				1	2N2431

PART No.	PARTS Per Kit	DESCRIPTION
----------	---------------	-------------

PART No.	PARTS Per Kit	DESCRIPTION
----------	---------------	-------------

WIRE-SLEEVEING

344-90	1	Black wire
344-92	1	Red wire
344-95	1	Green wire
344-99	1	White wire
344-110	1	Special flex wire (gray)
346-1	1	Small sleeving
346-20	1	Large sleeving

HARDWARE

(10) 250-355	3	2-32 x 3/16" sheet metal screw
(11) 250-353	4	2-56 x 7/16" screw
(12) 250-352	2	2-56 x 11/16" screw
(13) 250-354	2	3-56 x 1/8" screw
(14) 250-82	4	#4 x 1/2" wood screw
(15) 452-19	3	Gear pin

GENERAL

(7) 73-59	4	Large rubber grommet
73-53	1	Small rubber grommet
85-305	1	Circuit board
(8) 420-56	1	Motor
(9) 432-104	1	4-pin male connector
		Solder

MOLDED NYLON PARTS

(16) 266-111	1	Linear output arm (with tabs)
(17) 266-100	1	Linear output arm (without tabs)
(18) 266-102	1	Rotary output arm
(19) 266-101	1	Rotary output wheel
(20) 92-41	1	Case top section
(21) 451-59	1	Right rack gear
(22) 451-54	1	Left rack gear
(23) 266-99	1	Rack gear guide
(24) 451-53	1	Capacitor drive gear
(25) 451-52	1	Rack drive gear
(26) 451-51	1	Idler gear
(27) 451-50	1	Motor coupling gear
(28) 92-42	1	Case center section
(29) 262-14	1	Pin
(30) 92-43	1	Case bottom section