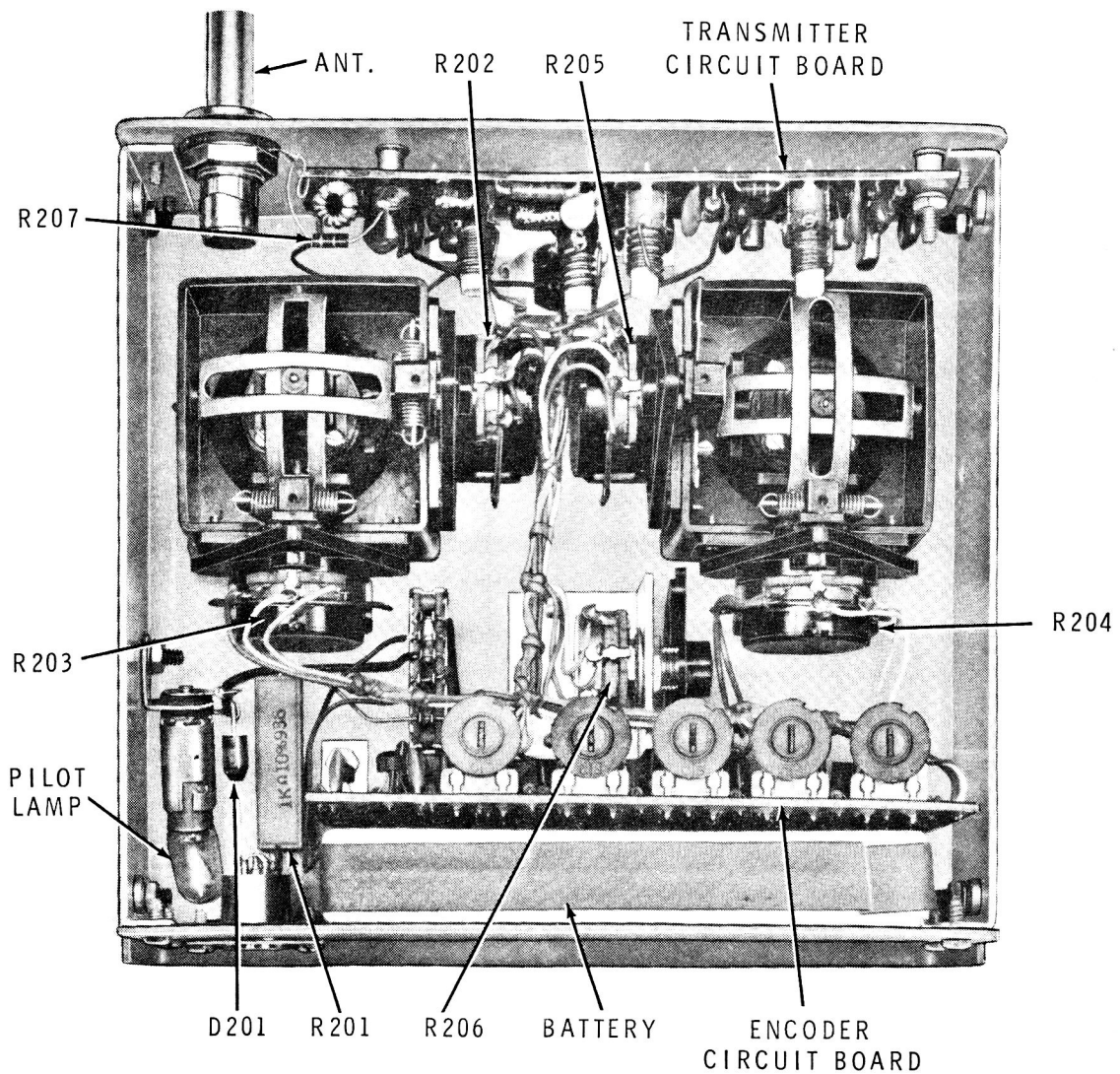


IDENTIFICATION

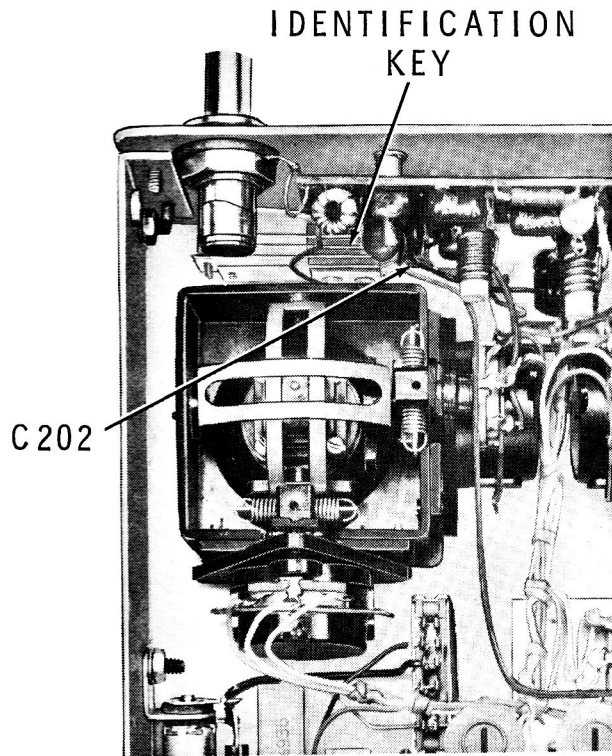
NOTE: This chassis photograph shows the 72 MHz band Transmitter. The 27 MHz band Transmitter is similar except for a different

transmitter circuit board, R207 is not used, and a 100 pF capacitor is connected between the transmitter circuit board and antenna lug.

TRANSMITTER CHASSIS PHOTOGRAPHS

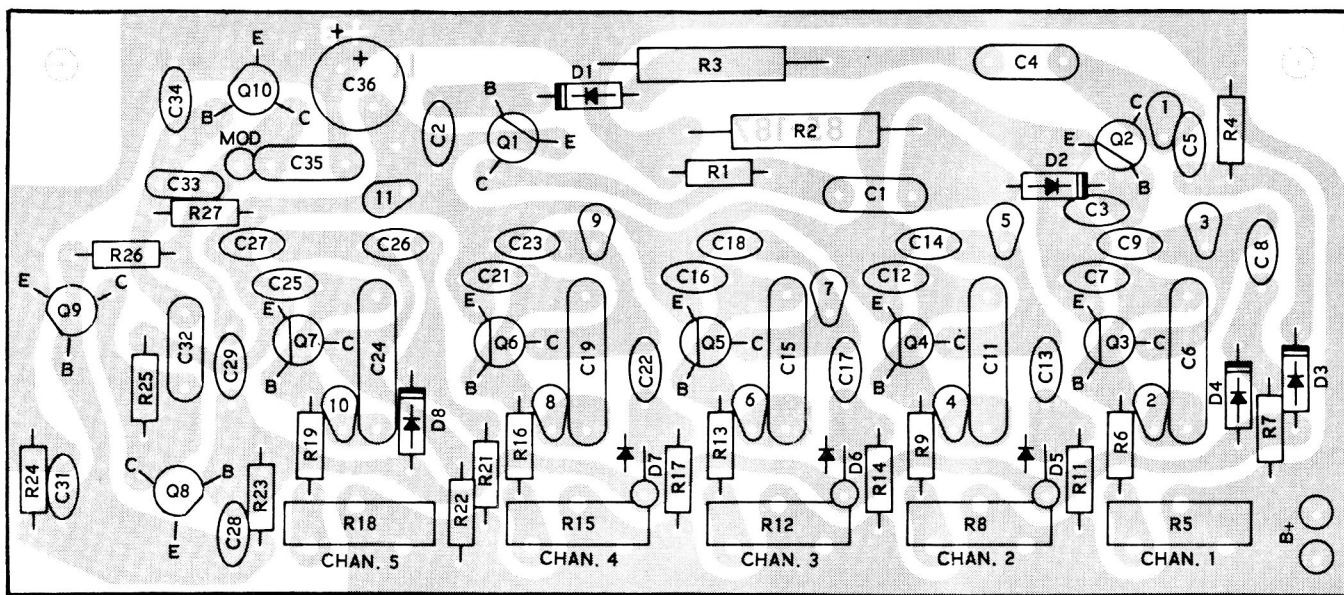


72 MHz BAND TRANSMITTER



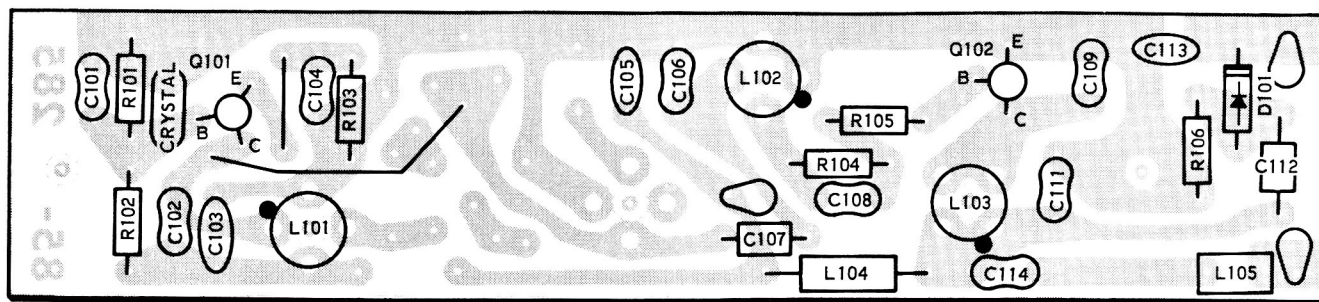
53 MHz BAND TRANSMITTER

TRANSMITTER CIRCUIT BOARD X-RAY VIEWS



ENCODER CIRCUIT BOARD

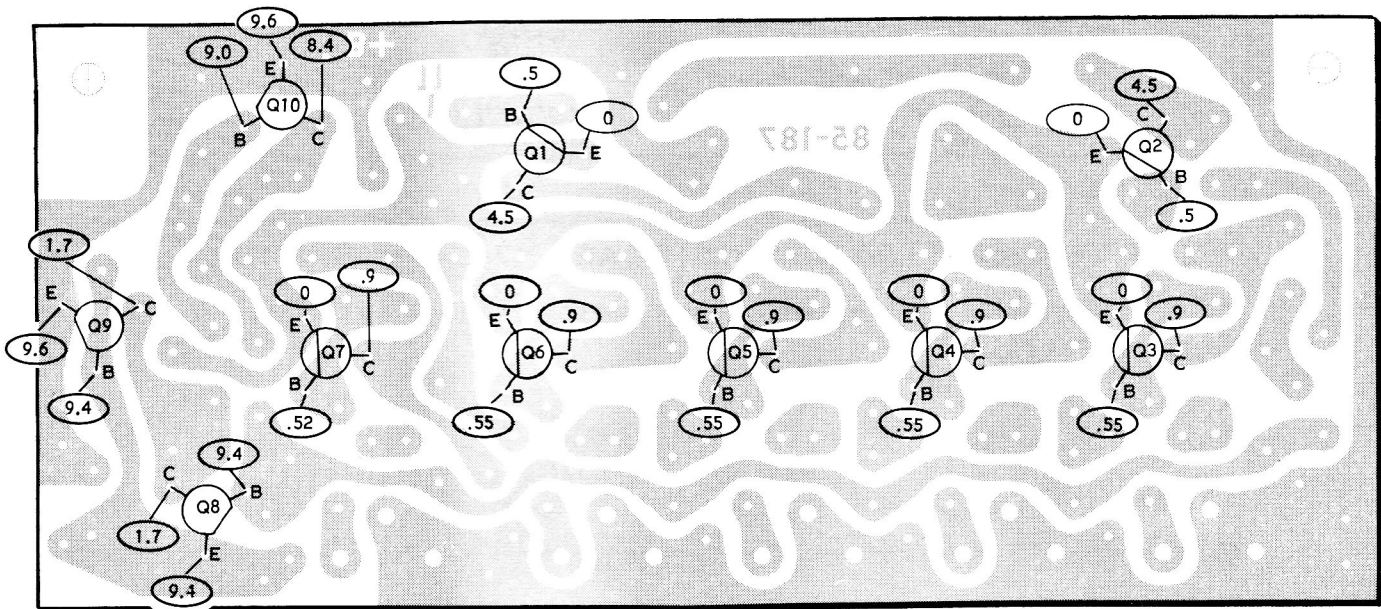
(SHOWN FROM COMPONENT SIDE)



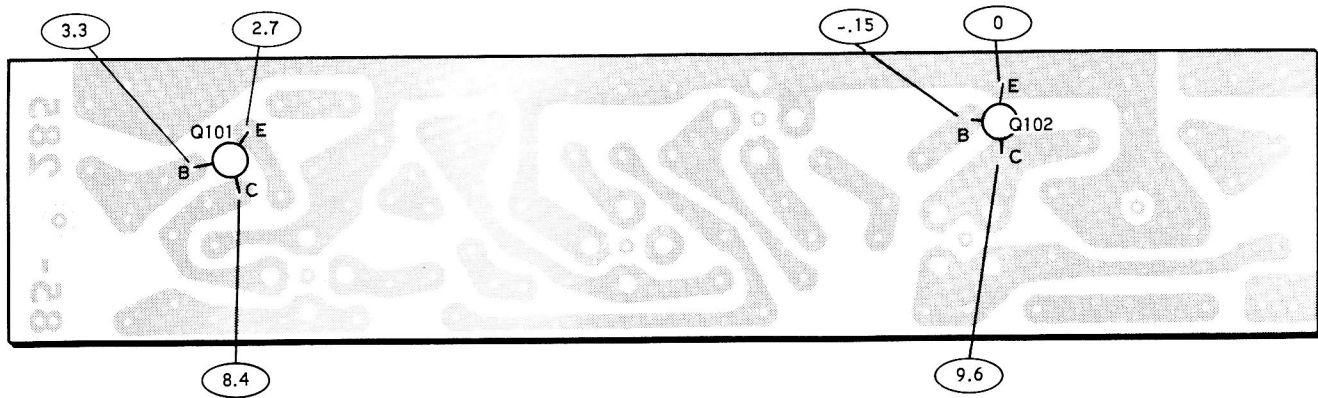
RF TRANSMITTER CIRCUIT BOARD (53 MHz BAND)

(SHOWN FROM COMPONENT SIDE)

TRANSMITTER VOLTAGE CHARTS

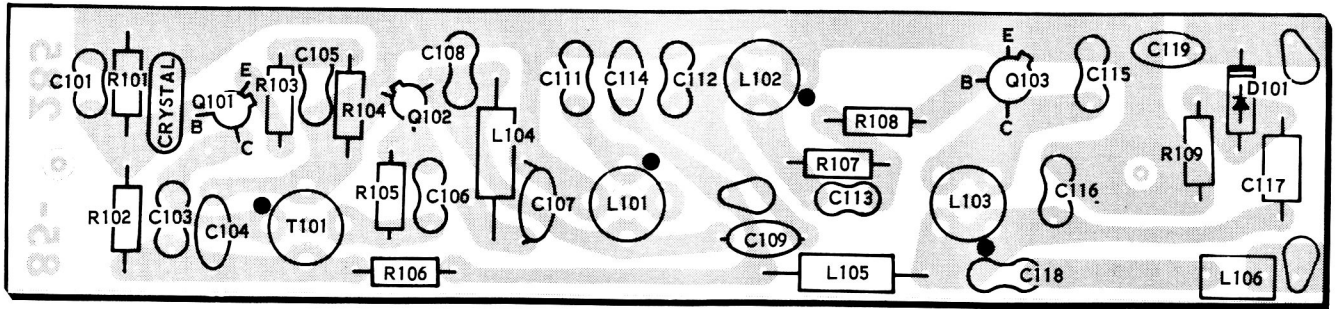


ENCODER CIRCUIT BOARD
(SHOWN FROM COMPONENT SIDE)



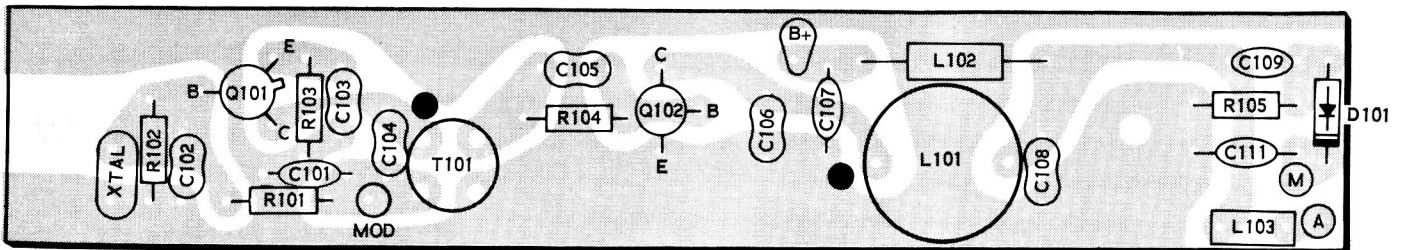
RF TRANSMITTER CIRCUIT BOARD
(53 MHz BAND)
(SHOWN FROM COMPONENT SIDE)

○ +DC VOLTAGE



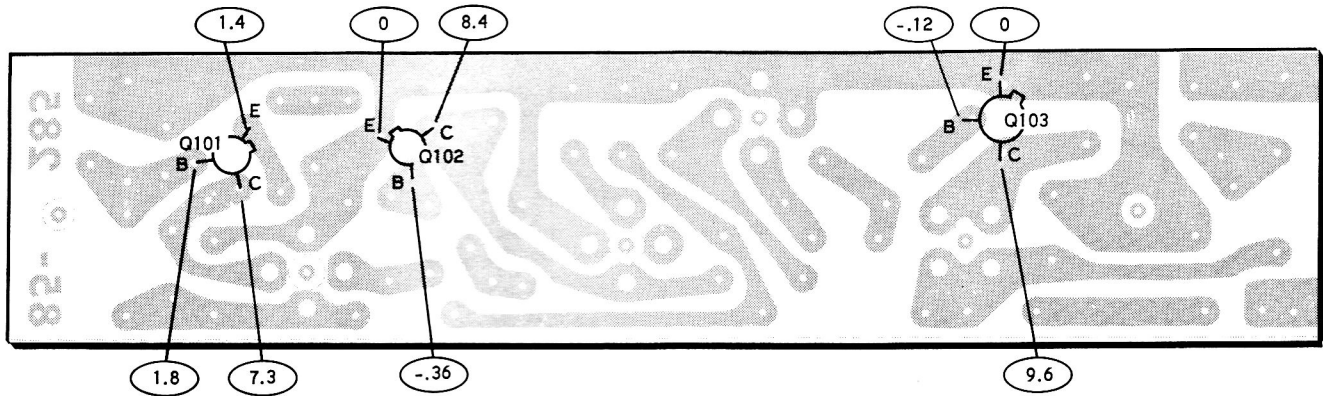
RF TRANSMITTER CIRCUIT BOARD (72 MHz BAND)

(SHOWN FROM COMPONENT SIDE)



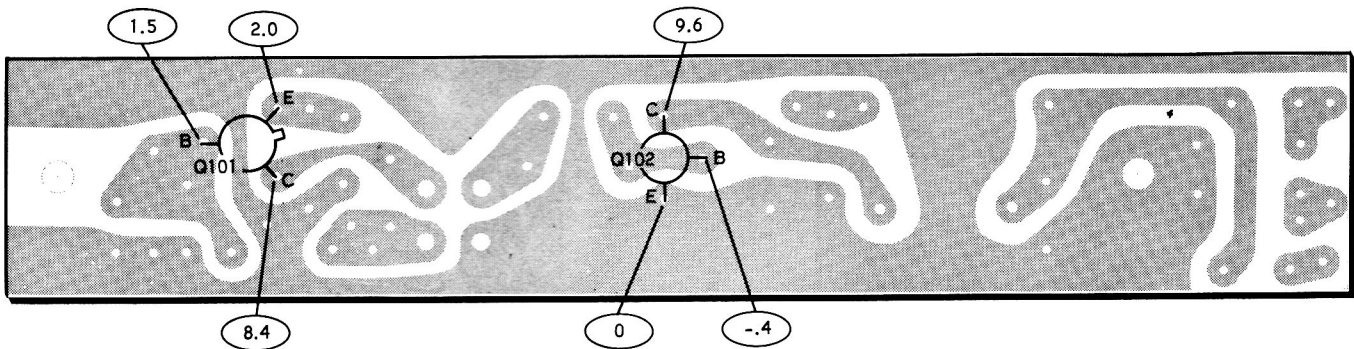
**RF TRANSMITTER CIRCUIT BOARD
(27 MHz BAND)**

(SHOWN FROM COMPONENT SIDE)



RF TRANSMITTER CIRCUIT BOARD (72 MHz BAND)

(SHOWN FROM COMPONENT SIDE)

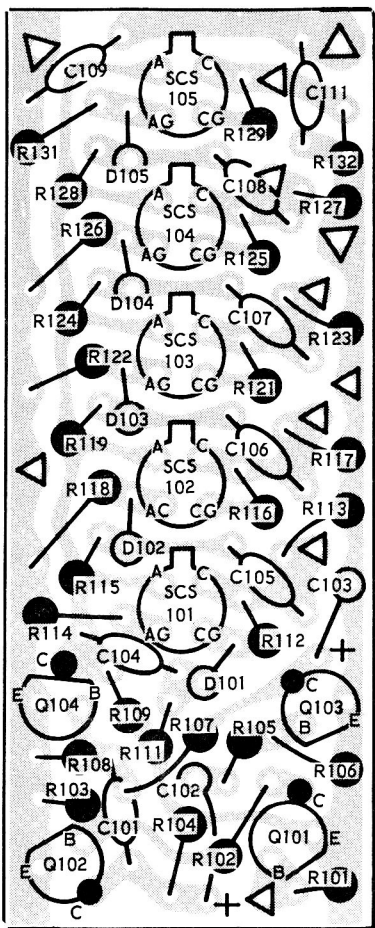


○ + DC VOLTAGE

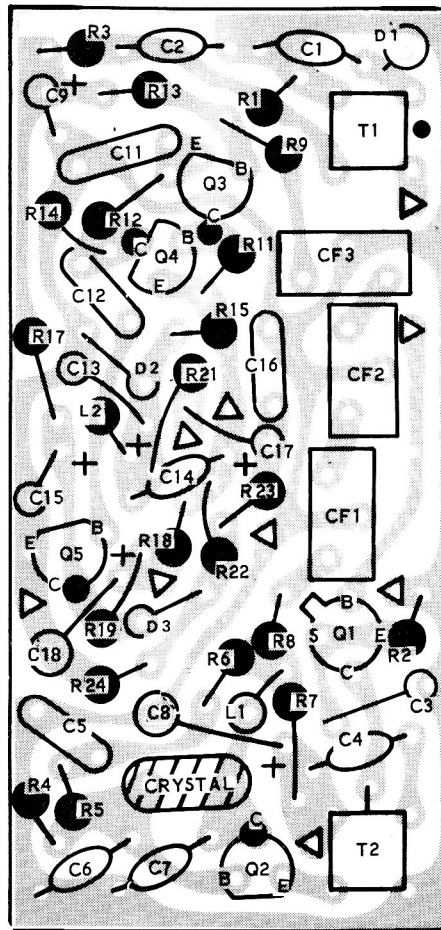
**RF TRANSMITTER CIRCUIT BOARD
(27 MHz BAND)**

(SHOWN FROM COMPONENT SIDE)

RECEIVER CIRCUIT BOARD X-RAY VIEWS

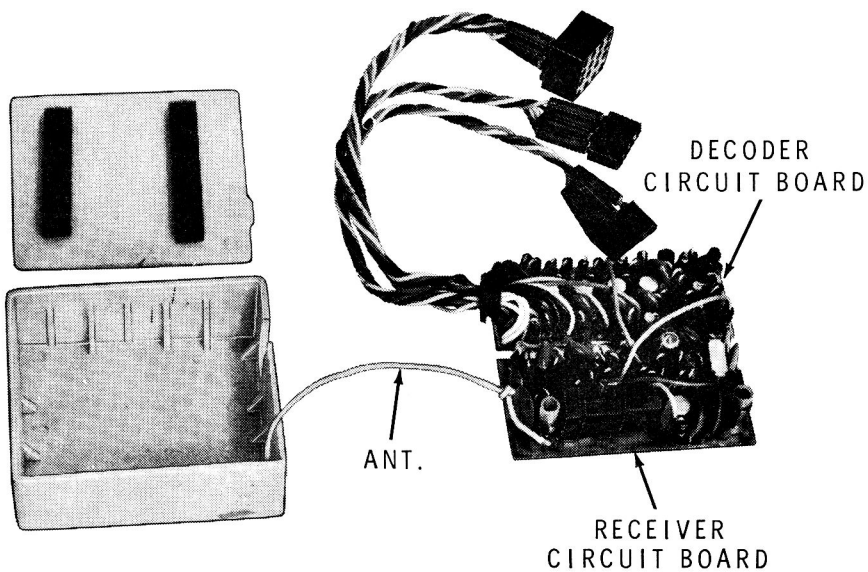


DECODER CIRCUIT BOARD
(SHOWN FROM FOIL SIDE)

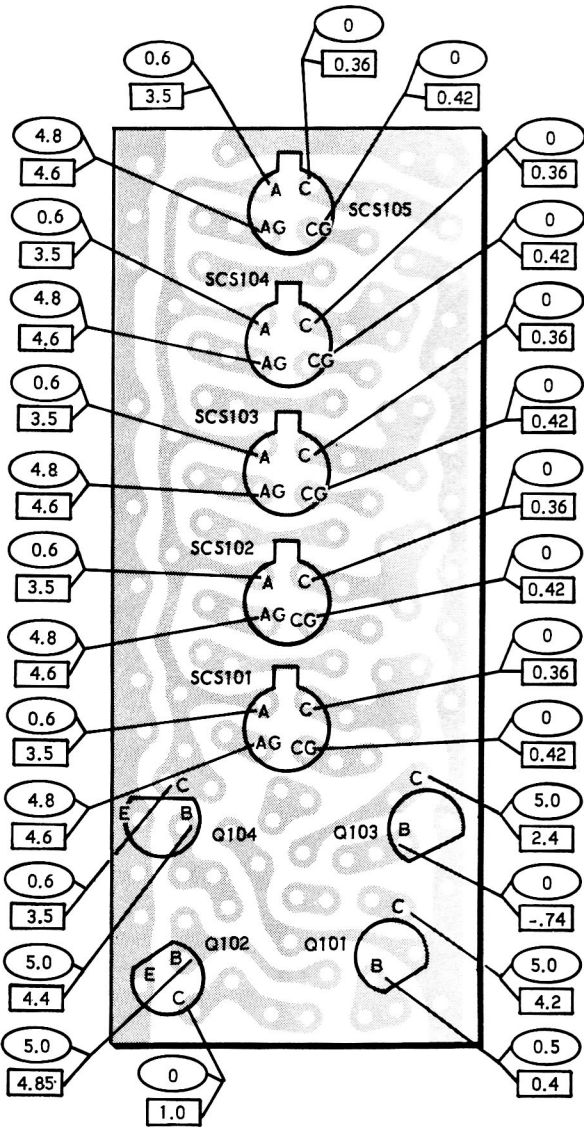



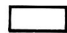
RECEIVER CIRCUIT BOARD
(SHOWN FROM FOIL SIDE)

RECEIVER CHASSIS PHOTOGRAPH



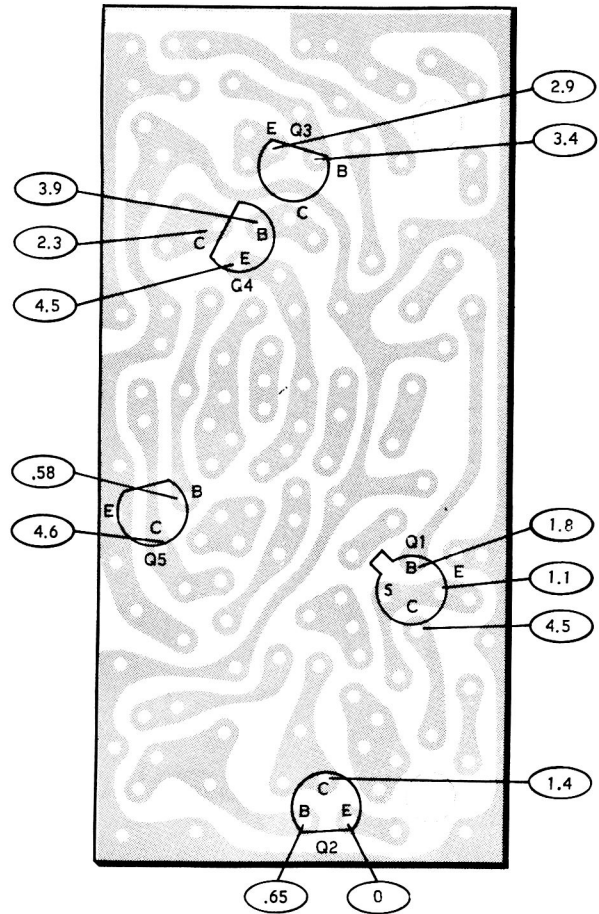
RECEIVER VOLTAGE CHARTS



-  +DC VOLTAGE, NO SIGNAL CONDITIONS.
-  +DC VOLTAGE, SIGNAL CONDITIONS.

DECODER CIRCUIT BOARD

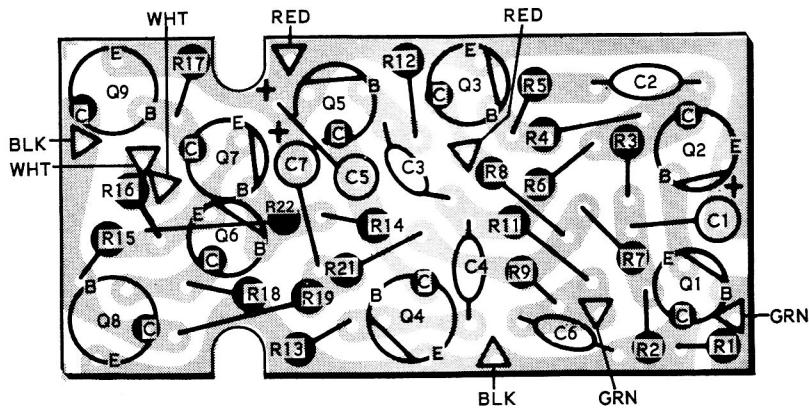
(SHOWN FROM FOIL SIDE)



RECEIVER CIRCUIT BOARD

(SHOWN FROM FOIL SIDE)

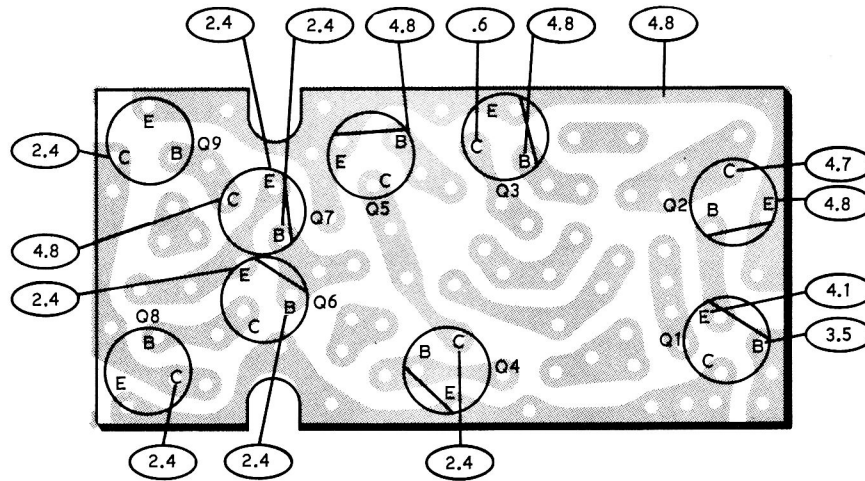
SERVO CIRCUIT BOARD X-RAY VIEW



SERVO CIRCUIT BOARD

(SHOWN FROM FOIL SIDE)

SERVO VOLTAGE CHART



SERVO CIRCUIT BOARD

(SHOWN FROM FOIL SIDE)

○ +DC VOLTAGE

SERVO CHASSIS PHOTOGRAPH

