

# LAFAYETTE<sup>®</sup>

## RADIO CONTROL TRANSMITTER

(Stock No. 99-9103)

This is a sister unit of the 99-9105 R/C Transmitter specially designed for beginners. The unit is easy to handle and performance is stabilized because of rationalized circuit.

### SPECIFICATIONS :

Transmission: 3-Transistor Audiotone MOPA system  
Frequency: 27.255 Mc.  
Power Source: 9 volt battery (Lafayette 99-6021 or its equivalent)  
Antenna: 6-section (3' 9-1/4" extended)  
Dimensions: 4-3/4" × 2-3/4" × 1-3/8"  
Weight: 7.8 oz. (including battery)

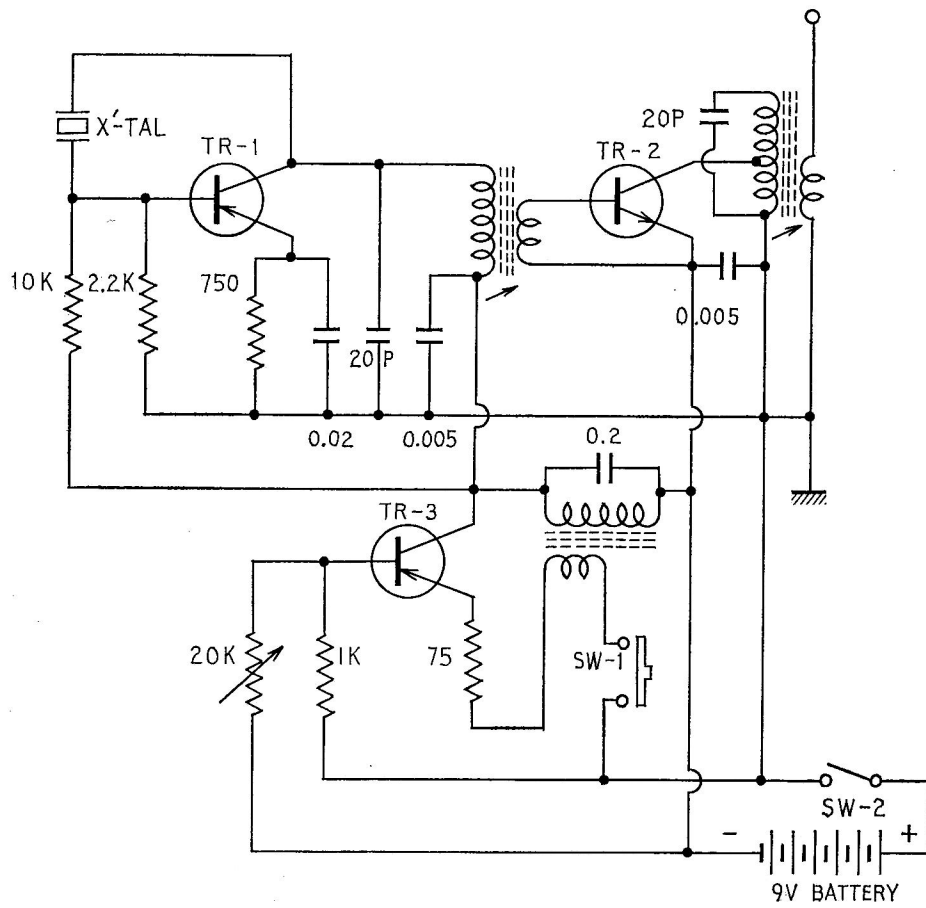
### INSTRUCTIONS :

1. Remove the back cover by pushing its both sides.
2. Insert 9V battery; connect it properly to the battery snap.
3. Set the slide power switch to "ON" position, so carrier wave will be emitted.
4. Push the CONTROL button for emission of tone signal.

### REMARKS :

1. When distance for test between transmitter and receiver is very short, antenna can entirely be shortened.
2. Never fail to use the specified 9V battery as power source.  
Replace it when voltage has decreased below 7.5V at tone emission.
3. Do not touch the interior as the unit is completely aligned at factory.

**CIRCUIT DIAGRAM :**



**LAFAYETTE RADIO ELECTRONICS CORP.,**  
111 Jericho Turnpike, Syosset L. I., New York.